



STUDIO

GAS FIRES



Aesthetics Performance Versatility

These are the elements that define the Studio range. Effortlessly becoming the focal point of your interior, a Studio fire brings far more than just heat to your home.

Each fire is designed to seamlessly blend beauty and performance, offering superb flame visuals and high efficiency heating. All at the touch of a button.

Presented with a variety of elegant styling options, the Studio range lets you tailor your fire to complete your home.



We are proud to have been recognised as an award-winning manufacturer, for our high-quality products and innovative technology. Find out more at gazco.com/awards



Contents

Choosing your Studio fire	05
Studio Flue Options.....	06
Fire Types & Sizes	08
Fuel & Lining Effects	10
Frame Options	13

Studio Cassettes

Studio 1	14
Studio 2	16
Studio 3	18

Studio Slimline

Studio Slimline	20
Studio 1 Slimline	22
Studio 2 Slimline	24
Studio Slimline Zero Clearance...	26

Studio Duplex

Studio Duplex	28
---------------------	----

Studio Summary and options	30
Technical Information	32
Also available.....	40

Studio 3, Edge 'Cool Wall' with Log-effect fuel bed and EchoFlame Black Glass Lining.

Relax - it's a Gazco Fire...

When you choose Gazco, quality and innovative technology are assured. From traditional models to contemporary designs, Gazco is committed to creating the ultimate flame-effect gas and electric fires. Our UK research and development laboratories are amongst the most advanced in the world, ensuring that the very latest innovations are incorporated into our appliances.



Gazco is an ISO9001 and ISO14001 accredited company. Our rigorous quality control system ensures that all our appliances are safety checked and that they comply with the appropriate regulations, with all fires in this brochure bearing both the UKCA and CE mark. Similarly, our environmental management systems ensure we work in a sustainable manner, whilst endeavouring to protect the environment by minimising any possible impact from our operations.

With over 40 years of proven experience building quality Gas fires, you can be confident that when you select a Gazco fire, you are getting the best of British design, engineering and manufacturing.



Studio 2, Edge 'Cool Wall' with Log-effect fuel bed and EchoFlame Black Glass lining. See page 38 for further details on Cool Wall kits.

WIN the cost of your product back!

by registering your product online for your free extended warranty. See page 37 for more details.

Expert Retailer Network

We take great care to ensure that our fires are designed, tested and manufactured to the highest possible quality and safety standards.

We are equally careful to make certain our fires are sold and installed correctly to ensure they provide you with years of enjoyment. Our products are only available from experienced, independent retailers who will be happy to show you a selection of models locally in their showrooms, often fully operational. These independent retailers will discuss your individual requirements, including both technical (such as sizing the heat output to your room and advising on your flue type) and design, to ensure that you select the most appropriate product for your home.

Our experienced retailers will also be able to advise on, or assist with, the installation process as well as help provide any after-sales support and servicing your appliance may require in the future.

Whilst we encourage our retailers to promote fireplace products and their outlets via the internet, we do not believe suitable levels of customer care and satisfaction can be obtained from purchasing the product only online and we would strongly recommend that you consider this when undertaking your research and making

a purchasing decision. Furthermore, please be aware that we do not offer technical support (beyond our statutory responsibilities) for products bought via nationwide online sales, where this support would normally be offered by one of our qualified, independent retailers.



Find your local Expert Retailer

Find your nearest retailer by visiting:
www.gazco.com/retailers

Five Year Extended Warranty

Your Gazco Expert Retailer will provide you with a Two Year Warranty for your new gas fire. This can be extended to a Five Year Warranty by registering your fire with Gazco. Please note, these warranties exclude certain consumable parts. Fires purchased outside of Gazco's Expert Retailer Network will carry a standard 1 Year non-extendable Warranty, or minimum statutory warranty for your country. Full warranty terms and conditions are available to view at www.gazco.com.



How to choose your Studio fire...

With a wealth of design options complemented by a choice of sizes, linings and fuel bed effects, these beautifully contemporary fires will add instant style and presence to any modern interior. The following pages will guide you through the wide selection of possibilities and styling options that are synonymous with the Studio range...

1 Step 1 Flue Options

Studio fires are available in conventional flue and balanced flue versions, allowing you to install your fire with or without a chimney.

2 Step 2 Types & Sizes

Studio fires can be selected in a variety of different types and sizes including Slimline and double-sided options depending on which flue type is required.

3 Step 3 Fuel & Lining Effects

Many Studio fires can be customised with a range of fuel and lining effects to transform the flames, including realistic logs and stylish stone.

4 Step 4 Frames

Studio fires can be styled to perfectly suit your décor. Choose to install your Studio as a frameless Edge or with one of the many stylish steel and glass frames available.

Studio Flue Types

Studios fires can be installed with or without a chimney, depending on the type of fire. Suitable for a wide range of homes, this versatile fire collection can be configured to suit your requirements.



Conventional Flue



Conventional flue Studio fires are designed to use an existing brick or stone chimney, or if your home does not have a chimney, a prefabricated chimney system that can be fitted when your fire is installed.

A prefabricated chimney system creates the same circulation of heated air as a brick or stone chimney and exits the roof as a metal flue.

Conventional flue Studio fires include Studio inset range.

Key Features

1. Conventional Flue connection
2. Linerless installation with no need for additional adapters
3. Glass Fronted
4. Choice of fuel effects
5. Choice of linings
6. Choice of frame styles
7. Convected and radiant heat
8. Convected heat system outlet
9. Simple drop down door for easy maintenance access
10. Remote control included*
11. External battery holders for ease of battery change
12. Optional mains adaptor



* Illustrated below

Balanced Flue



Balanced flue Studio fires do not require a chimney. Instead, a twin-walled pipe going from the fire to the exterior of the property draws in combustion air whilst also removing flue gases. Depending on which fire is selected, the twin-wall pipe can exit horizontally through an outside wall or vertically through the roof.

Balanced flue Studios are high efficiency glass fronted fires and are completely sealed from the room they are installed in. These include the Studio Inset, Studio 2 Duplex and Studio Slimline ranges.

Key Features

1. Balanced Flue connection
2. Variety of flueing options for location flexibility
3. Glass Fronted
4. Choice of fuel effects
5. Choice of linings
6. Choice of frame styles
7. Convected and radiant heat
8. Convected heat system outlet
9. Simple drop down door for easy maintenance access
10. External battery holders for ease of battery change
11. Programmable Thermostatic remote control included*
12. Optional mains adaptor



* Illustrated below

For further information on your flue and air vent requirements please see page 38.

Programmable Thermostatic Remote Control

Studio gas fires come complete with a Programmable Thermostatic remote that also includes the additional benefits of a programmable timer and thermostatic controls, ensuring that whenever you return home, your house will always be warm and welcoming. Studio fires have an external battery which can be discretely and conveniently located up to 3 metres away from the fire. Alternatively you can choose the optional mains adaptor for an installation without batteries.



Programmable Thermostatic remote

Studio Types & Sizes

For optimal versatility, Studio fires are available in a choice of types, sizes and heat outputs to suit a variety of interior spaces. Choose from high efficiency inset, double sided or specially designed Slimline models for cavity wall installations.



Studio 2 Edge+ with Log-effect fuel bed and EchoFlame Black Glass lining

Studio 1 (page 14)

The Studio 1 is the smallest fire in the range and is offered in either conventional or balanced flue models with a choice of fuel effects and linings.

Studio 2 (page 16)

The mid-sized Studio 2 offers impressive flames and heat output. Studio 2 fires come in conventional or balanced flue options with a choice of fuel effects and lining options.

Studio 3 (page 18)

Presenting a truly breath-taking view of the expansive flame visuals, the Studio 3 is the largest size in the range and can be tailored with a choice of linings and fuel effects to suit your interior.



Studio 1 Balanced flue with Pebble & Stone fuel bed & EchoFlame Black Glass lining



Studio 2 Balanced flue with Log-effect fuel bed & Black Reeded lining



Studio 3 Balanced flue with Driftwood-effect fuel bed & Black Glass lining

Studio 1 & 2 Slimline (page 20)

The high efficiency Studio Slimline fires have been specifically designed for cavity wall installations. Offered in a choice of two sizes, they feature an ultra-slim profile whilst still providing a superb view of the flames. Available with a choice of white stones* or realistic log fuel beds, these fires provide a generous heat output and are supplied complete with a Balanced Flue rear termination installation kit.

*Studio 2 Slimline models only.



Studio 1 Slimline with Log-effect fuel bed & Brick-effect lining



Studio 2 Slimline with Log-effect fuel bed & EchoFlame Black Glass lining

Studio 2 Duplex (page 28)



The double-sided Studio 2 Duplex allows the flame visuals to be enjoyed from either side. Producing up to 7.9kW of heat output, this balanced flue fire has a highly realistic Log-effect fuel bed.

Fuel & Lining Effects





Many Studio fires can be customised with a range of fuel and lining effects to transform the flames, from realistic logs or contemporary stones, through to elegant black reeded lining or a traditional brick effect.



Studio 2, Profil frame in Anthracite with Log-effect fuel bed and EchoFlame Black Glass lining

Fuel Effects

The fuel effects in each Studio fire are designed to create a stunning centrepiece, whether you choose the traditional ambience of the log or driftwood or the contemporary minimalism of pebbles and stones.

	Studio 1, 2 & 3 (Inset)	Studio Slimline	Studio Duplex
Log-effect 	✓	✓	✓
Driftwood-effect 	✓	✗	✗
Pebble & Stone 	✓ [◊]	✗	✗
White Stones 	✗	✓ ^{**}	✗

[◊] Studio 1 and 2 only | ^{**} Available for Studio 2 Slimline only

Lining Effects

Studio gas fires are highly customisable and their choice of stylish lining options is no exception. Depending on the model, each fire can be styled to your tastes with a range of different linings that offer a dramatically different aesthetic for your fire.



ECHOFLAME™
BLACK GLASS LINING

Studio Inset and Slimline fires can be selected with Gazco's inspiring EchoFlame Black Glass lining, which immediately enhances the depth and magic of the fire. Creating a dramatic, three-sided reflection of the dancing flames, this stylish lining creates a visual centrepiece that leaves a lasting impression.



	Echoflame Black Glass	Black Reeded	Brick Effect
Studio 1, 2 & 3 (Inset)	✓	✓ [*]	✗
Studio Slimline	✓	✗	✓
Studio Duplex	✗	✓	✗

^{*} Excluding Studio 2 Balanced Flue

Studio 3, Edge+ with Log-effect fuel bed and Black Glass lining



Frame Options

Studio fires have many frame options available, including a number of different styles in steel or glass. These stunning frame options have all been designed specifically to complement this contemporary fire range and offer you a spectrum of styling possibilities.

Edge

Pages 4, 6, 15, 16, 18 & 24



Edge+

Pages 8, 12, 17, 19 & 30 & Front Cover



Expression

Pages 15, 19, 22 & 43



Graphite

Glass

Pages 14, 21 & 28



Black Glass

ZC Glass

Pages 26 & 27



Black Glass front with
Graphite Steel rear

Verve

Page 23



Graphite



Aerial View Above

Profil

Pages 10, 16, 19, 20, 22,
25, 29, 35 & Back Cover



Anthracite

Steel 2

Pages 25 & 33



Graphite

	Studio 1	Studio 2	Studio 3	Studio Slimline	Studio Duplex
Edge	✓	✓	✓	✓	✓
Edge+	✓	✓	✓	x	✓
Profil	✓	✓	x	✓	✓
Expression	✓	✓	x	✓	✓
Steel 2	✓	✓	x	✓	✓
Glass	✓	✓	x	✓	✓
Verve	✓	✓	x	✓	✓
ZC Glass	x	x	x	✓	x



Studio 1, Glass Frame with Pebble & Stone fuel bed and Black Reeded lining

Studio 1



Studio 1, Expression in Graphite with Log-effect fuel bed and EchoFlame Black Glass lining



Studio 1, Edge with Driftwood-effect fuel bed and EchoFlame Black Glass lining

	Efficiency & Heat Output			Chimney or Flue Options			Gas Type		Fuel Bed			Linings		Control
	E% [†]	EFFICIENCY CLASS	kW	BRICK CHIMNEY	PRE-FABRICATED	BALANCED FLUE	NATURAL GAS	LPG GAS	LOGS	DRIFTWOOD	PEBBLE & STONE	BLACK REEDED	BLACK GLASS	PROGRAMMABLE THERMOSTATIC REMOTE
Studio 1 Glass Fronted Conventional Flue	72%	E	4.60kW	✓	✓	✗	✓	✓	✓	✓	✓	✓	✓	✓
Studio 1 Glass Fronted Balanced Flue	92%	A	5.30kW	✗	✗	✓	✓	✗	✓	✓	✓	✓	✓	✓

[†] Efficiency and heat output figures are based upon the maximum achieved in the options available. For more detailed technical information, including firebox dimensions and installation requirements, see page 32 onwards.

Frame Options

For the complete selection of frames available with Studio fires see page 13.

Studio 2



Studio 2, Profil frame in Anthracite with Driftwood-effect fuel bed and EchoFlame Black Glass lining



Studio 2, Edge 'Cool Wall' with Log-effect fuel bed and EchoFlame Black Glass lining. See page 38 for further details on Cool Wall kits.

	Efficiency & Heat Output			Chimney or Flue Options			Gas Type		Fuel Bed			Linings		Control
	E% [†]	EFFICIENCY CLASS	kW HEAT OUTPUT	BRICK CHIMNEY	PRE-FABRICATED	BALANCED FLUE	NATURAL GAS	LPG GAS	LOGS	DRIFTWOOD	PEBBLE & STONE	BLACK REEDED	BLACK GLASS	PROGRAMMABLE THERMOSTATIC REMOTE
Studio 2 Glass Fronted Conventional Flue	81%	C	6.20kW	✓	✓	✗	✓	✓	✓	✓	✓	✓	✓	✓
Studio 2 Glass Fronted Balanced Flue	92%	A	7.00kW	✗	✗	✓	✓	✗	✓	✓	✓	✗	✓	✓

[†] Efficiency and heat output figures are based upon the maximum achieved in the options available. For more detailed technical information, including firebox dimensions and installation requirements, see page 32 onwards.

Frame Options

For the complete selection of frames available with Studio fires see page 13.



Studio 2, Edge+ with Log-effect fuel bed and Black Reeded lining



Studio 3, Edge "Cool Wall" with Log-effect fuel bed and EchoFlame Black Glass lining

Studio 3



Studio 3, Edge + with Driftwood-effect fuel bed and EchoFlame Black Glass lining

	Efficiency & Heat Output			Chimney or Flue Options			Gas Type		Fuel Bed			Linings		Control
	E% [†]	EFFICIENCY CLASS	kW	BRICK CHIMNEY	PRE-FABRICATED	BALANCED FLUE	NATURAL GAS	LPG GAS	LOGS	DRIFTWOOD	PEBBLE & STONE	BLACK REEDED	BLACK GLASS	PROGRAMMABLE THERMOSTATIC REMOTE
Studio 3 Glass Fronted Balanced Flue	92%	A	8.40kW	X	X	✓	✓	✓	✓	✓	X	✓	✓	✓

Frame Options

For the complete selection of frames available with Studio fires see page 13.

[†] Efficiency and heat output figures are based upon the maximum achieved in the options available. For more detailed technical information, including firebox dimensions and installation requirements, see page 32 onwards.

Studio Slimline

Available in two sizes, these slimmer depth fires have been created to allow an easier, quicker and more cost effective installation option, whilst still retaining all the unmistakable characteristics of the Gazco Studio range.



Studio 2 Slimline Balanced Flue, Profil frame in Graphite with Log-effect fuel bed and EchoFlame Black Glass Lining

A Slimline fire for cavity wall installation

Studio Slimline fires have been specifically developed to allow the highly desirable aesthetics of a landscape format to be achieved in a wider variety of homes by simply recessing into the internal leaf of a cavity wall. Available in two sizes, both come complete with a dedicated rear exit balanced flue termination kit for easy installation - see page 36 for further information. For even more installation possibilities, the Zero Clearance range allows you to install Slimline fires in walls constructed from conventional materials such as studwork and plasterboard (see page 26).

Although compact in design, these highly efficient fires have a generous heat output which is easily controlled with the Programmable Thermostatic remote control.

Key Features

1. Shallow firebox depth of just 155mm
2. Balanced Flue connection
3. Choice of linings
4. Choice of contemporary or realistic fuel effects
5. Choice of frame styles
6. Convected and radiant heat
7. Convected heat system outlet
8. Programmable Thermostatic remote control
9. Rear exit Balanced Flue Termination Kit included*
10. External battery holder for ease of battery change*
11. Optional mains adaptor*

* Not illustrated



Slimline Frame Options

Studio Slimline fires can be styled to your interior with the one of the many high quality frames available, a selection of which are shown on these pages and overleaf. Alternatively, for a minimalist look, the frameless Edge design allows for a striking, hole-in-the-wall installation. For a complete frame style reference please see page 13.

Fuel Effects and Lining Options

To further extend your options for personalisation, there is a choice of linings and fuel effects available for the Studio Slimline fires. Each of the lining choices, including timeless Black Reeded, classic Brick-effect or depth-enhancing EchoFlame Black Glass can be paired with either realistic logs or contemporary white stone fuel effects for Studio 2 Slimline.

With each combination offering a significantly different appearance to the fire, you can be sure to select the perfect combination of fuel effect, lining and frame style to suit your interior decor.



Black Reeded Lining



Brick-effect Lining



Studio 1 Slimline Balanced Flue, Glass frame with Log-effect fuel bed & Black Reeded Lining.

Studio 1 Slimline



Studio 1 Slimline Balanced Flue, Expression frame in Graphite with Log-effect fuel bed and EchoFlame Black Glass Lining



Studio 1 Slimline Balanced Flue, Profil frame in Anthracite with Log-effect fuel bed and Brick-effect Lining

	Efficiency & Heat Output†			Chimney or Flue Options			Gas Type		Fuel Bed			Linings			Control
	E%	ENERGY EFFICIENCY CLASS	kW	BRICK CHIMNEY	PRE-FABRICATED	BALANCED FLUE	NATURAL GAS	LPG GAS	LOGS	WHITE STONES	BRICK EFFECT*	BLACK REEDED*	BLACK GLASS	PROGRAMMABLE THERMOSTATIC REMOTE	
Studio 1 Slimline Balanced Flue	82%	C	3.80kW	X	X	✓	✓	✓	✓	X	✓	✓	✓	✓	

† Efficiency and heat output figures are based upon the maximum achieved in the options available. For more detailed technical information, including firebox dimensions and installation requirements, see page 32 onwards.

* Lining set can be purchased separately

Frame Options

For the complete selection of frames available with Studio fires please see page 13.



Studio 1 Slimline Balanced Flue, Verve Frame in Graphite with Log-effect fuel bed and EchoFlame Black Glass Lining



Studio 2 Slimline Balanced Flue, Edge with Log-effect fuel bed and EchoFlame Black Glass Lining

Studio 2 Slimline



Studio 2 Slimline Balanced Flue, Steel 2 Frame in Graphite with Log-effect fuel bed and Brick-effect Lining



Studio 2 Slimline Balanced Flue, Profil Frame in Anthracite with White stone fuel bed and EchoFlame Black Reeded Lining

	Efficiency & Heat Output†			Chimney or Flue Options			Gas Type		Fuel Bed		Linings			Control
	E%	ENERGY EFFICIENCY CLASS	kW	BRICK CHIMNEY	PRE-FABRICATED	BALANCED FLUE	NATURAL GAS	LPG GAS	LOGS	WHITE STONES	BRICK EFFECT*	BLACK REEDED*	BLACK GLASS	PROGRAMMABLE THERMOSTATIC REMOTE
Studio 2 Slimline Balanced Flue	82%	C	5.00kW	X	X	✓	✓	✓	✓	✓	✓	✓	✓	✓

† Efficiency and heat output figures are based upon the maximum achieved in the options available. For more detailed technical information, including firebox dimensions and installation requirements, see page 32 onwards.

* Lining set can be purchased separately.

Frame Options

For the complete selection of frames available with Studio fires please see page 13.

Studio Slimline Zero Clearance Range

Studio 1 Slimline Balanced Flue, ZC Glass frame with Log-effect fuel bed and Black Reeded Lining



Studio Slimline Zero Clearance frame kits increase your installation possibilities around the home by allowing for simpler and easier fitting of Slimline fires into existing walls.

Unlike many gas fires, the Slimline Zero Clearance range does not need a specially constructed non-combustible wall to house the appliance. The Zero Clearance Frame kit includes an enclosure that houses the fire and circulates air around the appliance, reducing the heat transferred to the installation wall by directing it back into the room.

This means you can choose to fit your Slimline fire into walls with standard plasterboard and stud-work thanks to the Zero Clearance kit's ability to keep wall temperatures to a minimum. Zero Clearance Slimline fires are available in both Studio 1 and 2 Sizes

Key Features

1. Zero clearance box enclosure to reduce wall temperatures (included with frame)
2. Shallow firebox depth of just 155mm
3. Balanced flue connection
4. Choice of linings
5. Choice of contemporary or realistic fuel effects
6. Contemporary black glass frame finish
7. Convected and radiant heat system
8. Convected heat system outlet
9. Programmable Thermostatic remote control
10. Rear exit balanced flue termination kit included*
11. External battery holder for ease of battery change*
12. Optional mains adaptor*

* Not illustrated





Studio 2 Slimline Balanced Flue, ZC Glass frame in Black Glass with Log-effect fuel bed and EchoFlame Black Glass lining

Studio Duplex

For a truly awe-inspiring focal point in your home, the high efficiency, double-sided Duplex fire offers the ultimate solution to stylish dual space heating.



Studio 2 Duplex Balanced Flue, Glass frame with Log-effect fuel bed and Black Reeded lining



Studio 2 Duplex Balanced Flue, Profil frame in Anthracite with log-effect fuel bed and Black Reeded lining

	Efficiency & Heat Output†			Chimney or Flue Options			Gas Type		Fuel Bed	Lining	Control
	E%	ENERGY EFFICIENCY CLASS	kW	BRICK CHIMNEY	PRE-FABRICATED	BALANCED FLUE	NATURAL GAS	LPG GAS	LOGS	BLACK REEDED	PROGRAMMABLE THERMOSTATIC REMOTE
Studio 2 Duplex Balanced Flue	92%	A	7.90kW	X	X	✓	✓	X	✓	✓	✓

† Efficiency and heat output figures are based upon the maximum achieved in the options available. For more detailed technical information, including firebox dimensions and installation requirements, see page 32 onwards.

The Studio 2 Duplex offers the unique installation possibility of locating the fire between two separate living areas, allowing the stunning flames and 7.9kW heat output to be appreciated from both sides.

Frame Options

The Studio 2 Duplex has the benefit of dual styling possibilities, allowing you to select a different look for either side of the fire. For the complete selection of frames available with Studio fires see page 13.

Summary & Options

Diverse and versatile, the Studio fire range offers numerous possibilities from stylish frames and lining options to installations without a chimney. The table opposite shows the various options available for each Studio fire.





	Inset Studio Fires					Studio Slimline		Studio 2 Duplex
	Studio 1 CF	Studio 1 BF	Studio 2 CF	Studio 2 BF	Studio 3 BF	Slimline 1 BF	Slimline 2 BF	Studio 2 Duplex BF
Log-effect	✓	✓	✓	✓	✓	✓	✓	✓
Driftwood-effect	✓	✓	✓	✓	✓	X	X	X
Pebble & Stone	✓	✓	✓	✓	X	X	X	X
White Stone	X	X	X	X	X	X	✓	X
Installation Type:								
Hearth Mounted Installation	X	X	X	X	X	X	X	X
Wall Installation	✓	✓	✓	✓	✓	✓	✓	✓
Cavity Wall Specific Fire	X	X	X	X	X	✓	✓	X
Double Sided Fire	X	X	X	X	X	X	X	✓
Key Features:								
Remote Control	✓	✓	✓	✓	✓	✓	✓	✓
Timer and Thermostat Programmable	✓	✓	✓	✓	✓	✓	✓	✓
Glass Fronted High Efficiency	✓	✓	✓	✓	✓	✓	✓	✓
Natural Gas	✓	✓	✓	✓	✓	✓	✓	✓
LPG	✓	X	✓	X	X	✓	✓	X
Choice of Linings	✓	✓	✓	X	✓	✓	✓	X
Frameless 'Edge' Option	✓	✓	✓	✓	✓	✓	✓	✓
Conventional Flue ODS safety device*	✓	n/a	✓	n/a	n/a	n/a	n/a	n/a
Balanced Flue Firebox Relief Venting System ^Δ	n/a	✓	n/a	✓	✓	✓	✓	✓
Additional air vent required	X	X	✓	X	X	X	X	X
Conventional Flue	✓	X	✓	X	X	X	X	X
Balanced Flue	X	✓	X	✓	✓	✓	✓	✓
Maximum Heat Output	4.60kW	5.30kW	6.20kW	7.00kW	8.40kW	4.25kW	5.00kW	7.90kW
Efficiency Class	E	A	C	A	A	C	C	A
Maximum Efficiency	72%	92%	81%	92%	92%	82%	82%	92%

* ODS (Oxygen Depletion Sensor) - This Conventional Flue safety feature will shut off the gas supply to the burner in the event of a reduction to oxygen levels in the room.

Δ All Gazco Balanced Flue fires have relief vents in the firebox ensuring compliance with EN 613:2001 for delayed ignition safety standards.

Technical Information

Gas Fire Information

The following pages provide the dimensional, heat input/output, efficiency and product code information you will need to choose your new Gazco fire. For more detailed specifications, please consult your Gazco retailer. Complete installation instructions may be downloaded from www.gazco.com.

Studio 1

Supplied with Programmable Thermostatic remote control

Choose your fire, fuel effect and lining set from the options below (framing options can be found on page 37)

STEP 1 : FIRE CHOICE		Heat Input	Heat Output	Efficiency	Efficiency Class
⊗ 123-007	Studio 1 Conventional Flue Natural Gas	6.30kW	4.10kW	72%	E
⊗ 123-603	Studio 1 Conventional Flue LPG	6.90kW	4.60kW	72%	E
⊗ 123-024	Studio 1 Balanced Flue Natural Gas	6.30kW	5.20kW	92%	A

STEP 2 : FUEL EFFECT

CE1839	Studio 1 Log Set
923-632	Studio 1 Pebble & Stone Set †
923-019	Studio 1 Driftwood Set †

STEP 3 : LINING SETS

923-517	Studio 1 Conventional Flue - Black Reeded Lining Set
923-240	Studio 1 Conventional Flue - Black Glass Lining Set
923-607	Studio 1 Balanced Flue - Black Reeded Lining Set
923-282	Studio 1 Balanced Flue - Black Glass Lining Set

Studio 2

Supplied with Programmable Thermostatic remote control

Choose your fire, fuel effect and lining set from the options below (framing options can be found on page 37)

STEP 1 : FIRE CHOICE		Heat Input	Heat Output	Efficiency	Efficiency Class
⊗ 123-012	Studio 2 Conventional Flue Natural Gas	8.50kW	6.20kW	81%	C
⊗ 123-611	Studio 2 Conventional Flue LPG	8.50kW	6.20kW	81%	C
⊗ 123-030	Studio 2 Balanced Flue Natural Gas	8.50kW	7.00kW	92%	A

STEP 2 : FUEL EFFECT

CE1840	Studio 2 Log Set
923-665	Studio 2 Pebble & Stone Set †
923-037	Studio 2 Driftwood Set †

STEP 3 : LINING SETS

923-744	Studio 2 Conventional Flue - Black Reeded Lining Set
923-267	Studio 2 Conventional Flue - Black Glass Lining Set
923-294	Studio 2 Balanced Flue - Black Glass Lining Set

Studio 3

Supplied with Programmable Thermostatic remote control

Choose your fire, fuel effect and lining set from the options below (framing options can be found on page 37)

STEP 1 : FIRE CHOICE		Heat Input	Heat Output	Efficiency	Efficiency Class
⊗ 123-043	Studio 3 Balanced Flue Natural Gas	10.10kW	8.40kW	92%	A

STEP 2 : FUEL EFFECT

CE1770	Studio 3 Log Set
923-121	Studio 3 Driftwood Set

STEP 3 : LINING SETS

923-381	Studio 3 Balanced flue - Black Reeded Lining Set
923-365	Studio 3 Balanced flue - Black Glass Lining Set

† Available to Inset Studio fires only

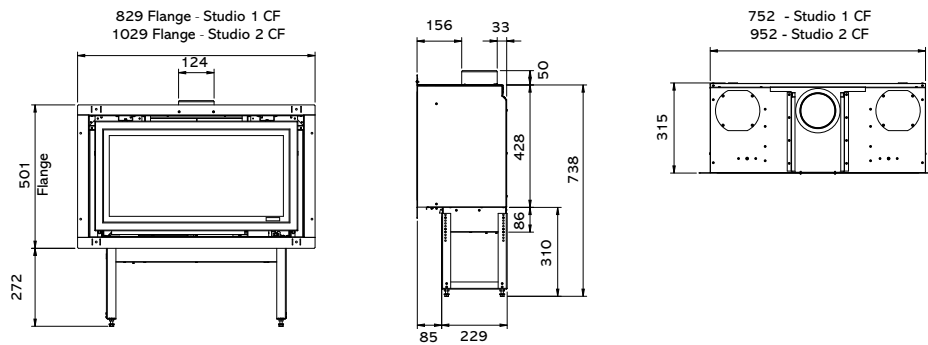
Additional Information

Conventional Flue Installation

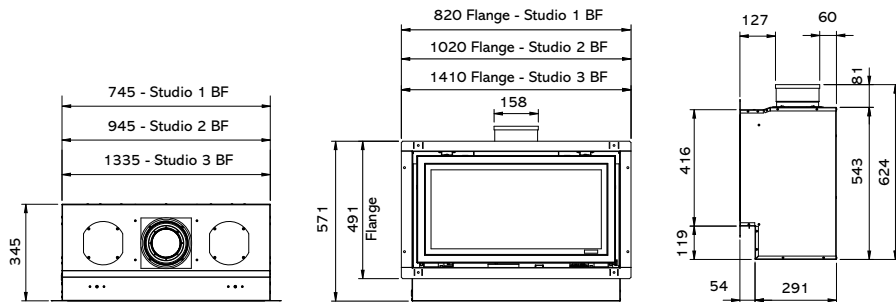
The conventionally flued Glass Fronted Studio has been designed with ease of installation in mind and can be installed two ways:

- 1) Direct connection to a 5" flue liner or 5" twin wall gas vent system
- 2) No additional fluing is needed when it is installed into an existing builders opening below a masonry chimney and sealed to the fireplace opening (assuming that the chimney is of sound construction).

Glass Fronted, Conventional Flue Studio Dimensions (mm)



Glass Fronted, Balanced Flue* Studio Dimensions (mm)



* For more Balanced Flue information and options please refer to our Concentric Flue System brochure which can be viewed or downloaded online at www.gazco.com

Studio 1, 2 & 3 Frame Information

Description	Frame Finish	Glass Fronted CF Product Code	Frame Size (mm)			Glass Fronted BF Product Code	Frame Size (mm)		
			w	h	d		w	h	d
STUDIO 1									
Profil	Anthracite	8710CFANO1	846	520	13	8710BFANO1	836	510	13
Steel 2	Graphite	923-883	1264	528	27	923-883	1264	528	27
Expression	Graphite	923-546	950	624	40	923-656	940	614	40
Verve	Graphite	923-300	1264	528	53	923-300	1264	528	53
Glass	Black Glass	923-628	1264	528	29	923-628	1264	528	29
Edge+*	Black	923-006	788	464	43	923-025	778	454	43
STUDIO 2									
Profil	Anthracite	8717CFANO2	1046	520	13	8717BFANO2	1036	510	13
Steel 2	Graphite	923-556	1500	528	27	923-556	1500	528	27
Expression	Graphite	923-574	1150	624	40	923-709	1140	614	40
Verve	Graphite	923-514	1500	528	53	923-514	1500	528	53
Glass	Black Glass	923-535	1500	528	29	923-535	1500	528	29
Edge+*	Black	923-017	988	464	43	923-028	978	454	43
STUDIO 3									
Edge+*	Black	-	N/A	N/A	N/A	923-040	1368	454	43

*When choosing an Edge+ frame an Edge kit is also required for installation.



Studio 2, Steel2 Log-effect fuel bed and EchoFlame Black Glass lining

Studio 1, 2 & 3 Options & Accessories

GLASS FRONTED STUDIO FIRES

Product Code	Description
8572	Warm air ducting kit (2 outlets)
8524	Balanced flue kit - vertical †
999-620	Remote system mains adaptor

STUDIO 1

8727CFEKO1	Edge fitting kit for conventional flue
8727BFeko1	Edge fitting kit for balanced flue †
8727CFCWO1	Cool Wall fitting kit for conventional flue
8727BFCWO1	Cool Wall fitting kit for balanced flue †
8534	Balanced flue kit - up and out †
923-517	Black Reeded lining set for conventional flue
923-607	Black Reeded lining set for balanced flue
923-240	Black Glass lining set for conventional flue
923-282	Black Glass lining set for balanced flue

STUDIO 2

8727CFEKO2	Edge fitting kit for conventional flue
8727BFeko2	Edge fitting kit for balanced flue †
8727CFCWO2	Cool Wall fitting kit for conventional flue
8727BFCWO2	Cool Wall fitting kit for balanced flue †
8509	Balanced flue kit - up and out †
923-744	Black Reeded lining set for conventional flue
923-267	Black Glass lining set for conventional flue
923-294	Black Glass lining set for balanced flue

STUDIO 3

8727BFeko3	Edge fitting kit for balanced flue †
8727BFCWO3	Cool Wall fitting kit for balanced flue †
8567	Balanced flue kit - up and out †
923-381	Black Reeded lining set for balanced flue
923-365	Black Glass lining set for balanced flue

† For more Balanced Flue information and options please refer to our Concentric Flue System brochure which can be viewed or downloaded online at www.gazco.com

Studio Edge & Cool Wall Kits

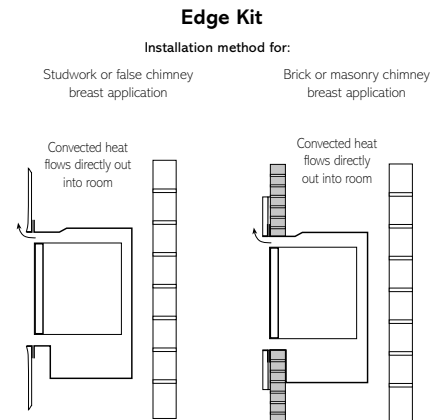
Available for Glass Fronted Studio fires

Edge Kit

This kit is screw-mounted to the front flange of the outer firebox. The L-shaped attachments can either provide a 20mm return against which high temperature plasterboard/screed can be butted up for the 'clean edge' look or, if the firebox flange is on the outside of a brick or studwork wall, allow ceramic or stone tiles to be fixed with a similar look. The Edge Kit is finished in black to complement the Studio and is perfect for installations on tiled walls or using stone slips. For a seamless Edge installation on a plastered wall it we suggest using the below 'Cool Wall' kit.

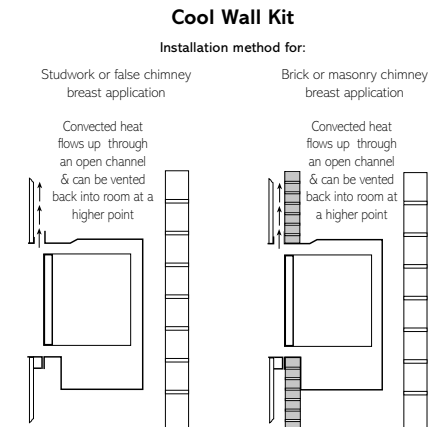
Cool Wall Kit

Again, screw-mounted to the front flange of the outer firebox, the 60mm deep U-shaped attachments of the Cool Wall kit are designed primarily for studwork false chimney breasts. The additional depth allows some of the heat to be vented up into the void above the firebox and then re-enter the room at a higher level. The effect is to produce a cooler wall immediately above the appliance than would otherwise be the case. The Cool Wall Kit is left unfinished so that it can be painted to match the front face of your fireplace.



When using the Edge Kit the fire is recessed by 20mm from the finished wall surface and the kit is finished in black to complement the Studio.

NB: When using the Edge Kit, heat resistant board and high temperature finishing plaster must be used. Please refer to installation instructions for full details.



When using the Cool Wall Kit the fire is recessed by 60mm from the finished wall surface and the kit is left unfinished so that it can be painted to match your decor.

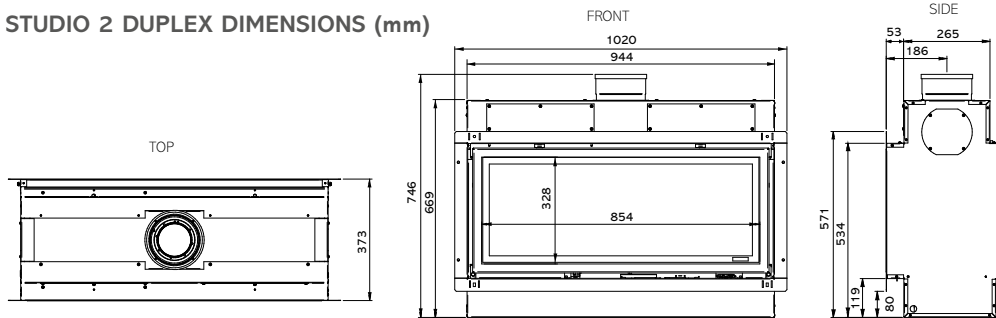
NB: Full installation information, including the requirement for the use of non-combustible materials, can be downloaded from www.gazco.com

Studio 2 Duplex Fires

FIRE INFORMATION

Product Code	Flue Type	Gas Type	Fuel Effect	Heat Input	Heat Output	Efficiency	Efficiency Class	Lining
⊗ 123-329	Balanced flue	Nat. Gas	Logs	9.6kW	7.9kW	92%	A	Black Reeded

STUDIO 2 DUPLEX DIMENSIONS (mm)



FRAME INFORMATION

Description	Frame Finish	Product Code	Frame Size (mm)		
			w	h	d
Profil	Anthracite	8717BFAN02	1036	510	13
Steel 2	Graphite	923-556	1500	528	30
Expression	Graphite	923-709	1140	614	40
Verve	Graphite	923-514	1500	528	56
Glass	Black Glass	923-535	1500	528	33.5
Edge+	Black	923-028	978	454	43

STUDIO 2 DUPLEX OPTIONS

Product Code	Description
8727BFEK02	Edge fitting kit for BF †
8727BFCW02	Cool Wall fitting kit for BF †
8572	Warm air ducting kit (2 outlets)
923-696	Duplex - Black Reed Lining Set
8567	Balanced flue kit - up and out †
8524	Balanced flue kit - vertical †
999-201	Horizontal Exit terminal guard (required for below 2m) †
999-620	Remote system mains adaptor

† For more Balanced Flue information and options please refer to our Concentric Flue System brochure which can be viewed or downloaded online at www.gazco.com

‡ Available as an upgrade to Studio fires with a log effect fuel bed

** Please see page 40 for further dimensions. ZC Frames come complete with the Zero Clearance Box.

The above information is to assist you in your choice of a suitable Gazco fire. This is not intended to be all the information required to install your fire. This can be obtained from your local Gazco retailer or you can download the full installation instructions from the Gazco website at www.gazco.com



Studio 1 & 2 Slimline Fires

STUDIO 1 SLIMLINE FIRE INFORMATION

Product Code	Description	Flue Type	Gas Type	Fuel Effect	Heat Input	Heat Output	Efficiency	Efficiency Class	Lining
⊗ 123-143	Studio 1 Slimline	Balanced	Nat. Gas	Logs	5.2kW	3.8kW	82%	C	Black Glass
⊗ 123-623	Studio 1 Slimline	Balanced	LPG	Logs	5.1kW	3.8kW	82%	C	Black Glass

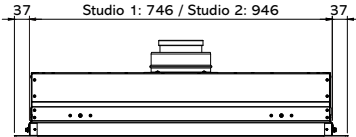
STUDIO 2 SLIMLINE FIRE INFORMATION

Product Code	Description	Flue Type	Gas Type	Fuel Effect	Heat Input	Heat Output	Efficiency	Efficiency Class	Lining
⊗ 123-102	Studio 2 Slimline	Balanced	Nat. Gas	Logs	6.1kW	4.5kW	82%	C	Black Glass
⊗ 123-545	Studio 2 Slimline	Balanced	LPG	Logs	6.6kW	5.0kW	82%	C	Black Glass
⊗ 123-117	Studio 2 Slimline	Balanced	Nat. Gas	White Stones	6.1kW	4.5kW	82%	C	Black Glass
⊗ 123-571	Studio 2 Slimline	Balanced	LPG	White Stones	6.6kW	5.0kW	82%	C	Black Glass

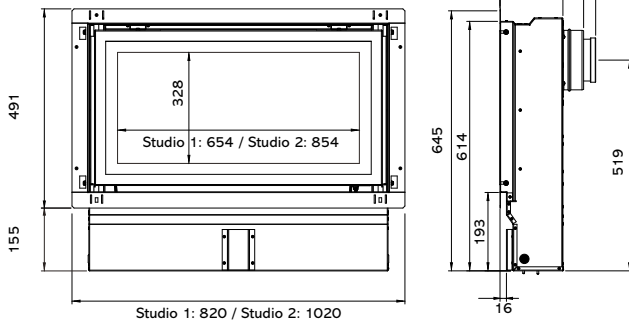
STUDIO SLIMLINE DIMENSIONS (mm)

Dimensions are the same for both models, except where specified

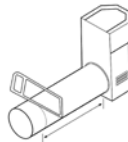
TOP VIEW



FRONT AND SIDE VIEW



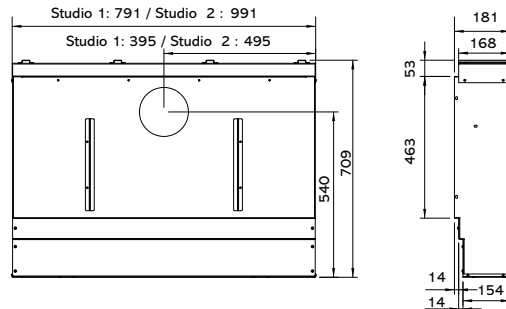
The Studio 1 and 2 Slimline comes complete with a specific rear exit balanced flue termination kit (8526) included.
395 x 200 x 200 mm (H x W x D) Guard supplied. Cut to length as required on site.



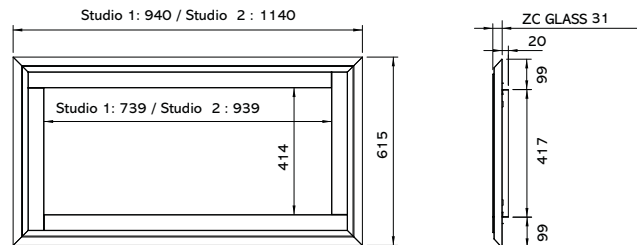
ZERO CLEARANCE FRAME DIMENSIONS (mm)

Dimensions are the same for both models, except where specified

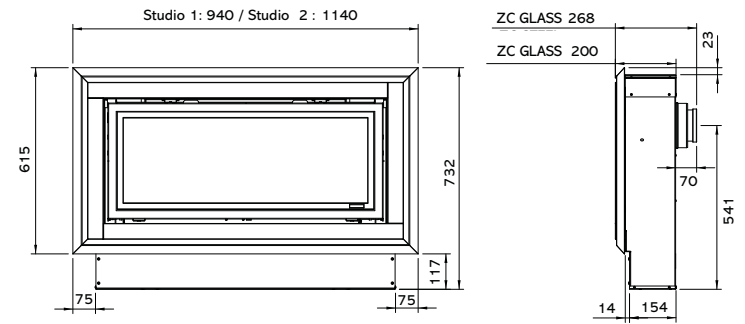
ZERO CLEARANCE BOX DIMENSIONS



FRAME DIMENSIONS



COMPLETE PRODUCT DIMENSIONS (FRAME & ZERO CLEARANCE BOX)



STUDIO 1 SLIMLINE FRAME INFORMATION

Frame	Frame Finish	Product Code	Frame Size (mm)		
			w	h	d
Profil	Anthracite	8710BFAN01	836	510	13
Steel 2	Graphite	923-883	1264	528	30
Expression	Graphite	923-656	940	614	40
Verve	Graphite	923-300	1264	528	56
Glass	Black Glass	923-628	1264	528	33.5
ZC Glass**	Black Glass	923-757	940	615	31

STUDIO 2 SLIMLINE FRAME INFORMATION

Frame	Frame Finish	Product Code	Frame Size (mm)		
			w	h	d
Profil	Anthracite	8717BFAN02	1036	510	12.5
Steel 2	Graphite	923-556	1500	528	27
Expression	Graphite	923-709	1140	614	40
Verve	Graphite	923-514	1500	528	53
Glass	Black Glass	923-535	1500	528	29
ZC Glass**	Black Glass	923-772	1140	615	31

STUDIO 1 SLIMLINE OPTIONS

Product Code	Description
8727BFKO1	Edge fitting kit for BF †
8727BFCWO1	Cool Wall fitting kit for BF †
923-826	Black Reeded Lining Set ‡
923-765	Brick-effect Lining Set ‡
923-124	Black Glass Lining Set ‡
999-620	Remote system mains adaptor

STUDIO 2 SLIMLINE OPTIONS

Product Code	Description
8727BFKO2	Edge fitting kit for BF †
8727BFCWO2	Cool Wall fitting kit for BF †
923-226	Black Reeded Lining Set ‡
923-273	Brick-effect Lining Set ‡
923-314	Black Glass Lining Set ‡
999-620	Remote system mains adaptor

** ZC Frames come complete with the Zero Clearance Box

How little does it cost to run a Gazco Studio gas fire?

Choosing a Gazco high-efficiency gas fire is not only about enjoying stunning flame visuals – it can also be a smart choice for reducing your energy consumption. With high efficiency performance, our Studio gas fires can be part of a zonal heating strategy – heating the room you intend to use, rather than the whole house, potentially helping you lower your heating costs while keeping your home cosy. For example, a Studio 1 Slimline gas fire could cost little as 87p for warming your living space during an evening*.

Find out more about running costs and saving energy at www.gazco.com/howlittle



Studio 1 Slimline Gas

- ✓ Input: 5.2kW (high), 3.5kW (low)
- ✓ Nominal Output: 3.8kW
- ✓ Maximum Efficiency: 82%†
- ✓ Efficiency label: C

Cost per evening*
87p

*Based on Studio 1 Slimline Balanced Flue Natural Gas model, running at 4 hours on low input of 3.5kW. The costs presented are based on the average UK cost per unit of gas (including VAT) from 1 October 2024, for customers on the default tariff. Figures generated are for typical domestic consumption paying by direct debit and will vary based on actual household usage (6.24p per kWh, OFGEM, Energy Price Cap, <https://www.ofgem.gov.uk/energy-price-cap>). Does not include any costs relating to product maintenance and servicing. Prices rounded to nearest whole pence. To the best of our knowledge all content is accurate at the time of going to print (18/09/24). E & O E.

†Maximum efficiency is achieved when running product on high output setting.

Example Running Costs			
1 Hour	on low continuous heating	22p	
1 Hour	on high continuous heating	32p	
4 Hours	on low continuous heating	87p	
4 Hours	on high continuous heating	£1.30	

WIN the cost of your product back!*

For further home inspiration you can **view real life installations** at our Customer Showcase page and share your thoughts and photos of your new stove or fire installation to enter our draw!

- We will publish your entry on our Customer Showcase
- You will be entered into a draw for the chance to win the cost of your product back
- **Gain a second entry** by registering your product online for your free extended warranty at gazco.com/registration



"It creates a fabulous cosy feel in the winter"



"We are still over the moon that we won the competition"



"So pleased we chose this gas alternative to a log burning stove"



"It's so easy to start up, with a press of a button!"



"Perfect for those cosy nights in"

View real life installations and submit your review at gazco.com/customershowcase

* Terms and conditions apply. See online for details

Your Home & Flue Requirements...

Conventional Flue

Conventional flue systems are for use with Gazco's Studio 1 and 2 cassette fires. They are easily recognisable as either a conventional brick or stone chimney, or as a pre-fabricated chimney system. Should your home have neither at present, it is usually possible to have a pre-fabricated system installed in your home if required.



Brick/Stone Chimney

(Class 1)

The chimney stack rises well above the roofline and is topped by a traditional chimney pot or gas terminal. This type of chimney relies on the natural circulation of heated air to expel the products of combustion up your chimney.



Pre-fabricated Flues

(Class 1 & 2)

You will see a metal flue cowl on your roof. Some are all metal whilst others may terminate through a short rectangular pot (but without a chimney stack). These flues create the same circulation of heated air as a brick or stone chimney.

Balanced Flue

Balanced flues work in conjunction with Gazco's Studio cassette, Studio Slimline & Studio Duplex gas fires. The appliance is completely sealed from the room into which it is installed (so there are no draughts and heating efficiency is increased) and a twin-wall pipe vents directly to an outside wall.



Balanced Flue

(No chimney required)

Air for combustion is drawn in through the outer pipe whilst the inner pipe removes the combustion gases to the exterior of the property. Depending on the fire selected, the twin-walled pipe may exit horizontally through an external wall or vertically through the roof. Gazco offers a comprehensive range of balanced flue system components. Please refer to our dedicated Concentric Flue System brochure which can be requested from your retailer or viewed online at www.gazco.com.

No Air Vent Required (UK)



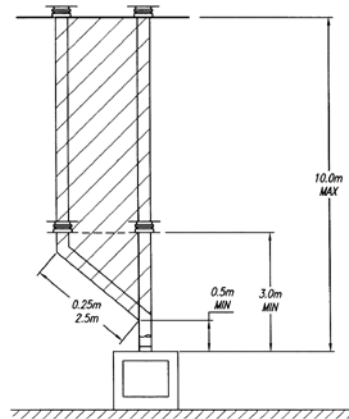
All fires shown with this symbol have the advantage of not normally requiring an air vent*. Please discuss this in full with your local retailer.

*Requirements in the Republic of Ireland are different.

Balanced Flue Options

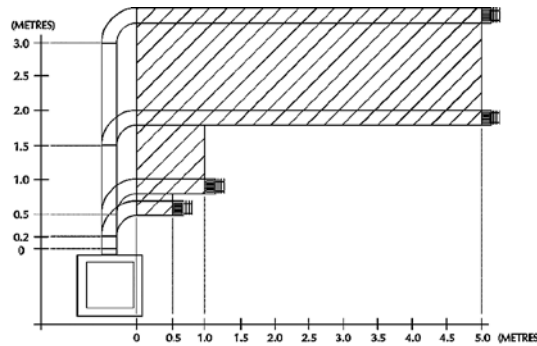
Gazco offers a comprehensive range of balanced flue system components. Please refer to our dedicated Concentric Flue System brochure which can be requested from your retailer or viewed online at www.gazco.com.

Vertical from the top of the appliance



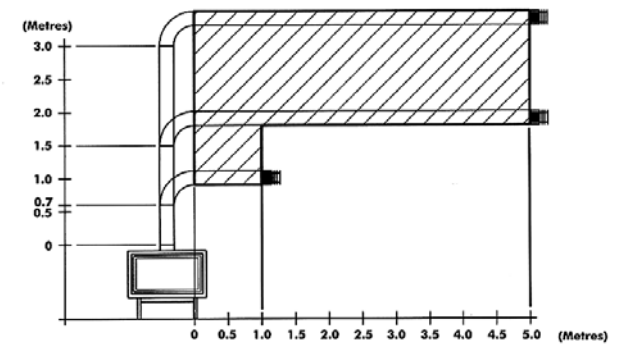
All Studio sizes

Vertical from the top of the appliance then horizontally out



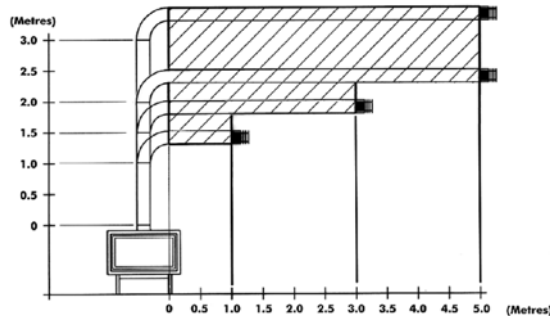
Studio 1

Vertical from the top of the appliance then horizontally out
- Studio 2 requires a minimum 700mm rise from the top of the unit



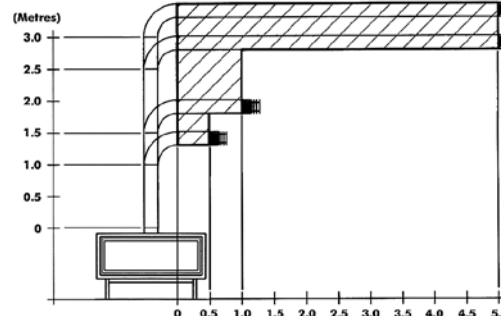
Studio 2

Vertical from the top of the appliance then horizontally out



Studio 2 Duplex - Nat Gas

Vertical from the top of the appliance then horizontally out - Studio 3 requires a minimum 1000mm rise from the top of the unit



Studio 3

Also available...



Gazco eStudio 165R with log-effect.



Stovax Studio 2 Profil.

Have you considered Electric?

If you are interested in electric alternatives, the Stovax Heating Group is pleased to offer a vast portfolio of electric fires with superb flame visuals. Offering all the ambient warmth of woodburning and gas models, our innovative electric fires provide breathtaking realism that can be controlled from the comfort of your sofa.

From our luxury Onyx Avanti electric fire collection, to the versatility of the Gazco eStudio or eReflex ranges, each model offers high efficiency and can be enjoyed with or without the heat for year-round ambience.

For more information, visit www.gazco.com/electric

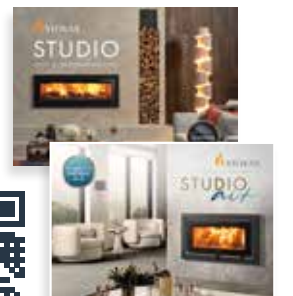


Stovax Studio Woodburning Fires

If you appreciate the landscape design and elegant aesthetics of the Gazco Studio range, you will be equally captivated by the Studio and Studio Air Woodburning fires, also available from the Stovax Heating Group. Immerse yourself in the warmth and elegance that these fires bring to your living space, combining cutting-edge technology with stunning design.

The Stovax Studio and Studio Air ranges offer Ecodesign-exceeding efficiency, with the latest Cleanburn and Airwash systems for optimal heat output and clear views of the spectacular flames.

Ask your local Stovax retailer for more information or download the Stovax Studio and Studio Air Woodburning Fires brochures from www.stovax.com





Onyx Avanti Gas Fires

Elevate your space with the unparalleled quality and sophistication of Onyx Avanti Gas fires. These luxurious inset fires feature rolling flames wrapping around lifelike Split Oak log-effects and a glowing ember-effect bed for ultimate realism. Enhanced with our EchoFlame™ Black Glass Lining, these captivating flame visuals mirror the beauty of a traditional woodburning fire, offering the pinnacle of luxury and contemporary design.

Available in two sizes, the 65 and 85, and as either natural gas or LPG models, they are a perfect fit in any modern interior.

For more information on Avanti Gas fires, please contact your local retailer or view and download the brochure at www.onyxfires.com.



Important Information

Technical Specifications

All specifications given in this brochure are approximate. Actual specifications for each individual product will vary according to model. Your Gazco retailer will be pleased to provide any further information you require. Alternatively you may view or download specification sheets from www.gazco.com.

Installation and Safety

Gazco gas fires must be fitted by a qualified gas installer (Gas Safe registered in the United Kingdom or Bord Gáis registered in the Republic of Ireland) who should also verify the proposed site conditions are fully suitable for the product selected. Complete installation instructions for many models can be obtained prior to purchase by viewing or downloading them from www.gazco.com. Please note that all parts of these fires, particularly the glass panel in the door, become extremely hot during operation and can result in serious injury and burns if touched. It is therefore recommended that a fireguard complying with BS 8423 (latest edition) is used in the presence of young children, the elderly or infirm.

Colours/Flame pictures

Owing to variations in studio lighting and printing inks, the finishes/colours of fires illustrated in this brochure may differ slightly from actual models. Before purchasing, please ask your retailer to show you finish/colour samples. Whilst all the flame pictures shown in this brochure are of actual fires, flame pictures may vary depending on the installation, flue conditions and geographical/surrounding features that may effect the efficiency of the flue.

Care and maintenance

Traditional materials, such as polished steel and brass, tarnish on contact with air, especially when also exposed to heat. To help minimise this effect, we recommend fires receive regular treatment with suitable proprietary cleaners. Additionally, please remember that gas fires will require servicing annually by a qualified gas installer Gas Safe registered in the United Kingdom or RGII registered in the Republic of Ireland).



Warranty and Product Improvement

Your Gazco Expert Retailer will provide you with a Two Year Warranty for your new gas fire. This can be extended to a Five Year Warranty provided your fire has been registered with Gazco. The second and subsequent years are dependant on the appliance being serviced 12 months after installation and annually thereafter and exclude certain consumable parts. Fires purchased outside of Gazco's Expert Retailer Network will carry a standard 1 Year Non-Extendable Warranty, or minimum statutory warranty for your country. Full warranty terms and conditions are available to view at www.gazco.com.

Gazco pursue a policy of continuous product improvement, therefore, whilst our products are correct at the time of the photography, we reserve the right to make alterations and amendments. Exact product details should be discussed with your retailer at the time of purchase.

Air Ventilation for Gas Fires

To comply with gas appliance installation regulations, all Glass Fronted Studio 2 fires with a conventional flue require additional ventilation into your room. For further information, please consult either your Gazco retailer or the Gazco Technical Information on our website www.gazco.com to confirm the ventilation required. All other fires featured in this brochure do not require additional ventilation.

Gazco gratefully acknowledges the assistance of the following companies with photographic settings:

Furnishings and Ornaments:- www.furniturevillage.co.uk; www.theorangeretree.co.uk; www.habitat.co.uk; www.houseoffraser.co.uk; www.next.co.uk; www.marksandspencer.com; www.rockettstgeorge.co.uk; www.frenchconnection.com; www.wayfair.co.uk; www.urbanoutfitters.com/uk; www.tkmxx.com; www.homesense.com; www.johnlewis.com; www.coxandcox.co.uk; www.urbanara.co.uk **Lighting:-** www.amoslighting.co.uk **Stone Mantels:-** www.farmington.co.uk; www.bnsp.co.uk; www.grandisson.com; www.rudloe-stone.com **Wood flooring:-** www.beechbros.co.uk **Tiles & Stone floors:-** www.originalstyle.com; www.wallsandfloors.co.uk **Plants:-** www.stbridgetnurseries.co.uk

Art:- www.desenio.co.uk

Studio 2, Expression with Log-effect fuel bed and Black Reeded lining



Studio 2 with Profil Frame, Log-effect fuel bed and EchoFlame Black Glass Lining



Gazco Limited, Spitfire Avenue, Skypark, Clyst Honiton, Exeter, EX5 2FR

Tel: 01392 261999 • Email: info@gazco.com

gazco.com   



Find your Local Expert Retailer

Find your nearest retailer by visiting:
www.gazco.com/retailers

Your Gazco stockist:

GZSTUDIO1024



Paper sourced from sustainable forests and printed using vegetable-based inks

A member of the Stovax Group © Copyright Gazco Ltd 2024 E & O E