



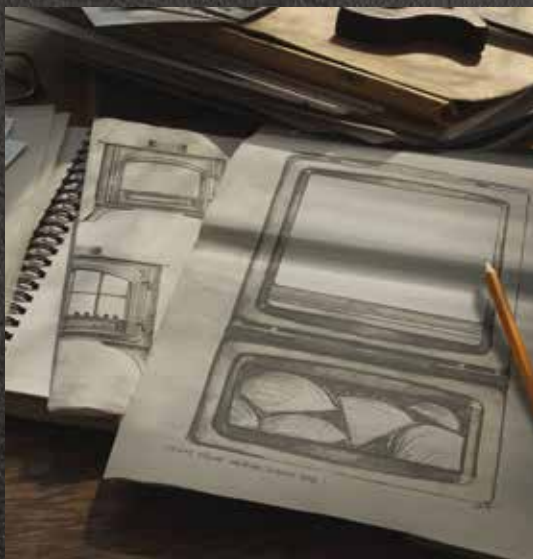
STOVAX



Woodburning and Multi-fuel Stove Collection



From our hands to your home...



A Stovax stove is the sum of over four decades of British design and engineering. Crafted to not only provide a deep, warming heat for your home, each brings with it both character and individuality. Whether you opt for one of our traditional or contemporary variations, our obsessive attention to detail ensures our stoves are as refined on the outside as they are innovative on the inside.



We are proud to have been recognised as an award-winning manufacturer, for our high-quality products and innovative technology.

Find out more at stovax.com/awards








The Stovax Stove Collection



Futura Range

Sizes in this range (see pages 14 to 19)







-  Futura 4
-  Futura 5
-  Futura 8

Shown Above: Futura 5 Woodburning Stove



Stockton Range

Sizes in this range (see pages 20 to 27)

-  Stockton 3
-  Stockton 4
-  Stockton 5
-  Stockton 5 Wide
-  Stockton 8
-  Stockton 11



Available as
single and
double door
models
See page 25

Shown Above: Stockton 5 Woodburning Stove



Huntingdon Range

Sizes in this range (see pages 28 to 33)

-  Huntingdon 20
-  Huntingdon 30
-  Huntingdon 40

Tracery and
Clear Door
options
available
See page 32







Shown Above: Huntingdon 30 Woodburning Stove, Clear Door



County Range

Sizes in this range (see pages 34 to 39)

-  County 3
-  County 5
-  County 5 Wide
-  County 8

Shown Above: County 5 Multi-Fuel Stove, Burning Logs

Contents

Futura.....	14
Stockton.....	20
Huntingdon.....	28
County.....	34
Chesterfield.....	40
Sheraton.....	46
Vogue.....	52
Contemporary Fires.....	60
Vogue 700 Inset.....	61
Technical Information.....	62
Exceeding EcoDesign.....	68
Further Information.....	72
Stove Benches.....	74
Professional XQ™ Chimney Systems.....	74
Accessories & Stove Care.....	76
Important Information.....	76
Warranty Information.....	79
Gazco Gas & Electric Products.....	80
Also Available from Stovax.....	82

Reviewed by Industry Experts

Watch insightful reviews by independent industry expert, The Tortoise.





Discover more by visiting:
stovax.com/tortoisereviews



Chesterfield Range

Sizes in this range (see pages 40 to 45)



-  Chesterfield 5
-  Chesterfield 5 Wide

Shown Above: Chesterfield 5 Woodburning Stove



Sheraton Range

Sizes in this range (see pages 46 to 51)

-  Sheraton 5
-  Sheraton 5 Wide

Shown Above: Sheraton 5 Woodburning Stove



Vogue Range

Sizes in this range (see pages 52 to 59)

-  Vogue Small
-  Vogue Small T
-  Vogue Midi
-  Vogue Midi T
-  Vogue Medium
-  Vogue Medium Slimline



Multiple mounting options available
See page 57

Shown Above: Vogue Midi Multi-Fuel Stove, burning logs

Forged to Last

Our woodburning and multi-fuel stoves are innovatively designed, solidly built and meticulously tested to ensure they continue to heat your home for many years to come.



SEE WHERE WE MAKE OUR STOVES:
stovax.com/aboutus

Innovation in Design

With creativity and innovation at the heart of what we do, our expert design team continues to create unique, industry leading stoves that both inspire and endure.

From the moment the first concept is sketched by hand, through to the mapping of airflow in the combustion chamber using cutting-edge software, stove design is a science we have been perfecting since 1981.

We continually invest in our research and development facilities to ensure our team is at the forefront of fire design. Our pioneering concepts and technologies make our woodburning and multi-fuel models some of the most sought after stoves available.

Quality Construction

Built with the finest quality materials, each stove is engineered here in the UK. Doors shut reassuringly to form an airtight seal, and air controls slide home both easily and responsively – year after year.

Cast iron and heavy gauge steel are used across our ranges to ensure each stove is built to the highest tolerances.

Possessing excellent thermal qualities, cast iron allows for the casting of intricate designs, making it perfect for traditional stoves. Heavy gauge steel is also an outstanding choice for stove construction, offering greater scope for design thanks to its versatile nature.



Rigorously Tested

In our pioneering laboratories, each stove is put through a series of demanding tests to make sure it performs not only reliably but exceptionally.

Here our development engineers continually refine our products to exceed the toughest UK and European standards, ensuring they are some of the cleanest burning and safest stoves available.



The Stovax Heating Group itself is also subject to stringent tests and we are proud to be an ISO9001 and ISO 14001 accredited company, recognised for our continued commitment to technical innovation, high quality products and excellent customer and after-sales care.



Designed for our Environment

When you choose to heat your home with a Stovax stove, you are choosing an environmentally designed product. Our high efficiency Ecodesign technology is engineered to generate the maximum amount of heat from your fuel, with minimal emissions.

Visit stovax.com/ecodesign for further information.





Ecodesign Plus

Whilst all our stoves feature Cleanburn technology for high efficiency heating in Smoke Control Areas, they also meet, and in many cases even exceed, Ecodesign emission and efficiency standards. Our Ecodesign products represent the cutting-edge of low emission stoves, reducing particulates by up to 84% in comparison with old appliances.

Ecodesign aims to improve air quality. Stove manufacturers are only able to sell Ecodesign compliant appliances. Our Ecodesign stoves and those of our distributed brands have been verified as meeting the stringent air quality and efficiency standards of Ecodesign regulations, and can be found displaying our Ecodesign Plus label. This helps you to easily see which products meet these standards for low emissions.

We believe this is the future of solid fuel heating, which is why the Stovax Heating Group is proud to offer the largest range of Ecodesign wood and multi-fuel stoves and fires in the UK and Ireland.



Natural Heat

Unlike fossil fuels, wood releases approximately the same amount of carbon into the atmosphere as that absorbed during the growth of a tree, making it a virtually carbon neutral fuel when sourced sustainably.

Choosing one of our high efficiency low emission stoves is a great step towards burning responsibly. To ensure your stove provides optimum heating performance, only wood with a low moisture content should be burnt. Seasoned logs should be allowed to dry for at least two years or more to achieve a moisture content between 14-20%, which can be easily checked with a moisture meter. Alternatively, when purchasing seasoned or kiln dried wood, look for Woodsure 'Ready to Burn' certification.



Good quality dry wood will not only provide a high heat output than that of freshly felled timber, it will also avoid a build-up of tar in your flue and ensure low smoke emissions with clean and crisp flame visuals.



High Efficiency

All Stovax stoves have been designed to burn with high thermal efficiency, minimising the loss of heat energy during combustion. Every model in this brochure is subject to UK energy labelling standards and almost all are rated as either A or A+ energy class appliances. Energy class and efficiency information is listed on each stove's product page for easy reference.



Urban Area Approved

Most town and city homes are located in Smoke Control Areas. To burn logs in these locations, the stove installed must be granted exemption from these restrictions by the government through DEFRA.



This exemption is given only to appliances which have been independently tested to demonstrate particularly clean burning combustion.

All stoves in this brochure are DEFRA exempt for use in Smoke Control Areas (when used in accordance with the product operating where specified) and this is shown on each product page. Your Stovax retailer can give you further help and advice.



Sheraton 5 Wide Multi-fuel Stove burning logs, shown with Claremont Limestone Mantel, see pages 46 - 51

Complete Peace of Mind

Expert Retailer Network

We take great care to ensure that our stoves are designed, tested and manufactured to the highest possible quality and safety standards. It is just as important to us that they are sold and installed correctly, so that you get years of enjoyment from your purchase.

Accordingly, you will find our products are only available from experienced, independent retailers who will be happy to show you a selection of models locally in their showrooms, often burning.

These independent retailers will help you with your individual requirements, both technical (such as sizing the heat output to your room and advising on your flue type) and design, to ensure that you select the right stove for your home. They will also be able to advise on or help with the installation of your stove, as well as help provide any after-sales support and servicing your appliance may require in the future.

Whilst we encourage our retailers to promote fireplace products and their outlets via the internet, we do not believe suitable levels of customer care and satisfaction can be obtained from purchasing the product only online and we would strongly recommend that you consider this when undertaking your research and making a purchasing decision. Furthermore, please be aware that we do not offer technical support (beyond our statutory responsibilities) to products bought via nationwide online sales, where this support would normally be offered by one of our qualified, independent retailers.



You can find your nearest retailer by visiting: stovax.com/retailers

Five Year Extended Warranty

When you purchase a Stovax stove from our Expert Retailer Network your retailer will provide you with a Five year Extended Warranty for your new solid fuel stove, provided it is registered with Stovax (see page 79). Stoves purchased outside of Stovax's Expert Retailer Network will carry a standard non-extendable One Year Warranty, or minimum statutory warranty for your country. Full warranty terms & conditions are available to view at stovax.com



WIN THE COST OF YOUR PRODUCT BACK!*

by registering your product online for your free extended warranty. See page 79 for details.

Huntingdon 30 Woodburning Stove, with Tracery Door, shown with ceramic wood effect beam, see pages 28 - 33



Engineered for High Performance



Stovax woodburning and multi-fuel stove ranges include a wide range of different styles and sizes to suit your home. Each stove collection is designed and engineered here in Great Britain and features cutting-edge combustion systems with easy to use controls. The result is a stove that give you stunning flames and high performance heating.

Wood or Multi-Fuel?

All Stovax stoves are designed for high efficiency woodburning. Stoves that burn only wood have a burn chamber with a flat bed, as wood burns best on a bed of ashes.

Multi-fuel stoves burn logs but also give you the freedom to burn smokeless fuels with high performance. Depending on the model, the stove's robust riddling grate can be opened or closed, allowing ash to be easily riddled into a built-in ash pan below. This allows air to flow under the fire to create the optimum conditions for burning these solid fuels.



View the video

Learn how to burn right at:
stovax.com/howtolight





Warm air channels between the firebox and the outer walls of the stove and back into the room for enhanced heating performance



Ecodesign Plus and Urban Area Approved (see pages 8 & 9)



Radiated heat warms room



Triple airflow system employs heated air jets to ignite hydrocarbons for stunning flame visuals and high efficiency clean burning



Easy to use, responsive control system

Airtight door with large viewing window

High quality construction using the finest materials possible



Many stoves in this brochure are designed to be suitable for installation with a 12mm hearth (See page 73 for more details)



Top or rear flue pipe exit

Powerful Airwash system cleans glass for a superb view of the flames

Baffle system ensures minimal heat is lost up the chimney

Integral Heat shields - lower temperatures behind the appliance for reduced distance to combustibles

High density thermal brick lining for high efficiency heating

Optional External Air supply for draught reduction (selected models)

Dedicated woodburning / multi-fuel riddling system

Plinth, log store bases or stove bench styling options for elevated flames



Model Shown: Vogue Midi T Woodburning Stove with optional Midline wood store base, see page 52 - 59



SEE IT
BURNING AT:
[stovax.com/
futura](https://stovax.com/futura)



Futura 8
Woodburning Stove



The Futura Range

WOOD & MULTI-FUEL STOVES



Pairing high-performance heat with unrivalled flame visuals, the Futura collection represents the cutting-edge in solid fuel design. It's time to bring the future of fire to your living space.



Futura 5
Multi-fuel Stove, burning logs

Futura

Key Features

- Three Size Options
- Woodburning & Multi-fuel models
- Ecodesign Plus (see page 68)
- Cast Iron & Heavy Gauge Steel
- Cleanburn and Airwash Systems
- DEFRA Exempt for Smoke Control Areas
- Integral Heat Shields (see page 72)
- Convector Heat Flow System
- Integrated External Air Connection (room sealed when fitted with external air supply)
- Room vent not normally required* (see page 72)
- 12mm hearth compatible (see page 73)
- Matt Black Finish

For additional imagery see pages 3, 14, 71 & 79



*Applicable to Futura 4 and 5



Independently Reviewed by
Industry Expert, The Tortoise

Discover why Stovax woodburners are the leading choice for designer aesthetics, quality manufacturing and high efficiency heating



stovax.com/tortoisereviews



Futura 4

Woodburning Stove, shown
with Chelsea London Front &
Claremont Limestone Mantel

Futura 5
Woodburning Stove



“

The heat it delivers makes the whole room feel so much more cosy, and watching the flames is mesmerising



Peter, Derby. See the full story and thousands more at stovax.com/review



**SEE IT
BURNING AT:**
[stovax.com/
futura](https://stovax.com/futura)

Futura Stoves

Range Summary



Futura 4

Futura 5

Futura 8

Nominal Heat Output & Range

4.1kW
(3 - 5.5kW)

5kW
(3.5 - 7.5kW)

8kW
(4.5 - 10kW)

Energy Efficiency Class

A+

A+

A

Maximum Efficiency

80.9%

82.7%

76.4%

Multi-fuel Model

✓ 715-539*

✓ 715-458*

-

Woodburning Model

✓ 715-135

✓ 715-010

✓ 715-287

Optional External 80mm Air Pipe

✓ 998-080

✓ 998-080

✓ 998-080

Cast Iron & Heavy Gauge Steel construction

✓

✓

✓

Integral Heat Shields

✓

✓

✓

Cleanburn & Airwash Systems

✓

✓

✓

Convector Heat Flow System

✓

✓

✓

Integrated External Air Connection†

✓

✓

✓

DEFRA Exempt

✓

✓

✓

for Smoke Control Areas

Ecodesign Plus (page 68)

✓

✓

✓

12mm Hearth Compatible (page 73)

✓

✓

-

Flue Outlet

5" Top or Rear

5" Top or Rear

5" Top or Rear

Maximum Log Length

250mm

330mm

450mm



*With external riddling For complete technical information see page 62 onwards

†Room sealed when fitted with external air supply

Nominal heat outputs, efficiencies & efficiency ratings are based on maximum achievable across that size variation.

For full efficiency data see page 69



Futura 4
Multi-fuel Stove,
shown burning logs

Stockton 5
Woodburning Stove





The Stockton Range

WOOD & MULTI-FUEL STOVES



Whether you live in a cosy cottage or need a high output to heat a spacious living room, this timeless collection perfectly balances the rustic charm of a traditional setting and the sleek lines of a contemporary interior, whether large or small, town or country.



Stockton 5 Wide
Multi-fuel Stove, shown as Single
Door model burning logs

Stockton

Key Features

- Six Size Options
- Woodburning & Multi-fuel models
- Single door & double door* models
- Ecodesign Plus (see page 68)
- Cast Iron & Heavy Gauge Steel
- Cleanburn and Airwash Systems
- DEFRA Exempt for Smoke Control Areas
- Integral Heat Shields (see page 72)
- Room vent not normally required (see page 72)
- 12mm hearth compatible** (see page 73)
- Matt Black Finish

For additional imagery see pages 6, 65, 76 & 78



*Available with Stockton 5 Wide, 8 & 11 models

**Applicable to Stockton 3, 4, 5 and 5 Wide

Electric and Gas models
available - see page 80

“

Absolutely love my little woodburner. It might be little but it packs a punch with the heat



Sheryl, Andover. See the full story and thousands more at stovax.com/review



Stockton 3

Multi-fuel stove burning logs, Shown with Chelsea London Cast Front in Matt Black and Claremont Limestone Mantel

SEE IT
BURNING AT:
[stovax.com/
stockton](http://stovax.com/stockton)



Stockton II
*Woodburning Stove
with Double Doors*

Stockton Stoves



A stove to suit any space

Each model in the Stockton range melds form with function to suit your unique lifestyle. From the compact proportions of the Stockton 3 to the impressive heat output of the Stockton 11, this stove is designed to suit almost any space. For those seeking a touch of classic elegance, the 5 Wide, 8 and 11 sizes offer options for double doors, broadening your style options and adding a stately presence.

Models shown to left: Stockton 8 Woodburning Stove

Stockton Stoves

Range Summary



Stockton 3

Stockton 4

Stockton 5

Stockton 5 Wide

Stockton 8

Stockton 11

Nominal Heat Output & Range

4.8kW
(2 - 5kW)

5kW
(2.5 - 7kW)

5kW
(2.5 - 7kW)

5kW
(2.5 - 7kW)

8.3kW
(4 - 11kW)

11kW
(7 - 14kW)

Energy Efficiency Class

A

A

A

A+

A

A

Maximum Efficiency

78.1%

80.2%

79.2%

80.2%

78.4%

76.2%

Multi-fuel Single Door Model

✓ 721-731*

✓ 721-744*

✓ 721-750*

✓ 721-772*

✓ 721-675*

-

Woodburning Single Door Model

-

✓ 721-146

✓ 721-160

-

✓ 721-191

✓ 721-236

Multi-Fuel Double Door Model

-

-

-

✓ 721-789

✓ 721-681*

-

Woodburning Double Door Model

-

-

-

-

✓ 721-202

✓ 721-243

Cast Iron & Heavy Gauge Steel construction

✓

✓

✓

✓

✓

✓

Integral Heat Shields (page 72)

✓

✓

✓

✓

✓

✓

Cleanburn & Airwash Systems

✓

✓

✓

✓

✓

✓

DEFRA Exempt for Smoke Control Areas

✓

✓

✓

✓

✓

✓

Ecodesign Plus (page 68)

✓

✓

✓

✓

✓

✓

12mm Hearth Compatible (page 73)

✓

✓

✓

✓

-

-

Flue Outlet

5" top or rear

5" top or rear

5" top or rear

5" top or rear

6" top or rear

6" top or rear

Maximum Log Length

200mm

200mm

330mm

400mm

400mm

500mm

Electric & Gas Models Available (page 80)



✓

-

✓

✓

✓

-



*With external riddling For complete technical information see page 62 onwards

Nominal heat outputs, efficiencies & efficiency ratings are based on maximum achievable across that size variation. For full efficiency data see page 69.



Independently Reviewed by
Industry Expert, The Tortoise

Discover why Stovax woodburners are the
leading choice for designer aesthetics, quality
manufacturing and high efficiency heating



stovax.com/tortoisereviews

Stockton 8

Woodburning Stove with Double Doors



Huntingdon The **Huntingdon** Range

WOOD & MULTI-FUEL STOVES



Combining classic stove design with cutting-edge, high efficiency combustion systems, the Huntingdon Ecodesign stove range brings warmth and character to your home.

Tasteful detailing decorates each stove's cast iron door, side panels and top plate – testament to the craftsmanship behind each stove.





Huntingdon 30

Woodburning Stove with Tracery Door, shown with Grey Pembroke Wooden Mantel



SEE IT
BURNING AT:
[stovax.com/
huntingdon](http://stovax.com/huntingdon)

Huntingdon 40

Woodburning Stove with Clear Door



Independently Reviewed by
Industry Expert, The Tortoise

Discover why Stovax woodburners are the
leading choice for designer aesthetics, quality
manufacturing and high efficiency heating



stovax.com/tortoisereviews

Huntingdon

Key Features

- Three Size Options
- Tracery or Clear Door Options
- Woodburning & Multi-fuel models
- Ecodesign Plus (see page 68)
- Removable Door Handle
- Convector Heat Flow System
- Cast Iron & Heavy Gauge Steel
- Cleanburn and Airwash Systems
- DEFRA Exempt for Smoke Control Areas
- Integral Heat Shields (see page 72)
- Integrated External Air Connection (room sealed when fitted with external air supply)
- Room vent not normally required (see page 72)
- 12mm hearth compatible* (see page 73)
- Matt Black Finish

For additional imagery see pages 12 & 77



*Applicable to Huntingdon 20 & 30 models

Electric and Gas models
available - see page 80



Huntingdon 20

Multi-fuel Stove with Tracery Door
burning logs. Shown with Ceramic
Wood-effect Beam



Choice of Door Styling Options

Choose from clear or tracery door models to perfectly match your home's décor. Each style offers a stunning view of the flames, with the tracery option adding a touch of Gothic elegance.



Clear Door



Tracery Door

Models Shown: Huntingdon 30
Woodburning Stove



Huntingdon 30


Multi-fuel Stove with handle removed, shown
burning logs with Clear Door, also shown with
Claremont Limestone Mantel

Huntingdon Stoves

Range Summary



Huntingdon 20 Huntingdon 30 Huntingdon 40

Nominal Heat Output & Range	4.1kW (3.5 - 5kW)	5kW (3.5 - 7.5kW)	8kW (4.5 - 10kW)
Energy Efficiency Class	A+ →	A+ →	A →
Maximum Efficiency	80.9%	82.7%	76.4%
Multi-fuel with Clear Door	✓ 701-420*	✓ 701-473*	-
Multi-fuel with Tracery Door	✓ 701-081*	✓ 701-496*	-
Woodburner with Clear Door	✓ 701-107	✓ 701-068	✓ 701-023
Woodburner with Tracery Door	✓ 701-455	✓ 701-042	✓ 701-004
Optional External Air Pipe - 80mm	✓ 998-080	✓ 998-080	✓ 998-080
Ecodesign Plus (page 68)	✓	✓	✓
Cast Iron & Heavy Gauge Steel construction	✓	✓	✓
Integrated External Air Connection ¹	✓	✓	✓
Cleanburn & Airwash Systems	✓	✓	✓
DEFRA Exempt for Smoke Control Areas	✓	✓	✓
12mm Hearth Compatible (page 73)	✓	✓	-
Flue Outlet	5" Top or Rear	5" Top or Rear	5" Top or Rear
Maximum Log Length	250mm	330mm	450mm
Electric & Gas Models Available (page 80)	✓ 	✓	✓



*With external riddling For complete technical information see page 62 onwards ¹Room sealed when fitted with external air supply.
Nominal heat outputs, efficiencies & efficiency ratings are based on maximum achievable across that size variation. For full efficiency data see page 69



Huntingdon 20
Woodburning Stove with Clear Door

County 5 Wide

Fixed Grate Wood & Multi-fuel
Stove burning logs





The County Range

WOOD & MULTI-FUEL STOVES



Character. Charm. High-performance heat. The Stovax County combines timeless styling with advanced combustion systems, resulting in an Ecodesign stove range that's as easy on the eye as it is practical.



County 3
Multi-fuel Stove, shown burning logs

County

Key Features

- Four Size Options
- Woodburning & Multi-fuel models
- Ecodesign Plus (see page 68)
- Cast Iron & Heavy Gauge Steel
- Cleanburn and Airwash Systems
- DEFRA Exempt for Smoke Control Areas
- Integral Heat Shields
- Room vent not normally required* (see page 72)
- 12mm hearth compatible (see page 73)
- Matt Black Finish

SEE IT
BURNING AT:
stovax.com/county



*Applicable to County 3, 5 and 5 Wide



Independently Reviewed by
Industry Expert, The Tortoise

Discover why Stovax woodburners are the leading choice for designer aesthetics, quality manufacturing and high efficiency heating



stovax.com/tortoisereviews

County 5
Woodburning Stove



County 8
Woodburning Stove




SEE IT
BURNING AT:
[stovax.com/
county](http://stovax.com/county)

County Stoves

Range Summary



County 3

County 5

County 5 Wide

County 8

Nominal Heat Output & Range	4.8kW (2 - 6kW)	5kW (2.5 - 7kW)	5kW (2.5 - 7kW)	8.3kW (4 - 11kW)
Energy Efficiency Class	A	A	A+	A
Maximum Efficiency	78.1%	79.2%	80.2%	77.8%
Multi-fuel Model	✓ 735-437*	✓ 735-479*	✓ 735-521*	-
Woodburning Model	-	✓ 735-039	-	✓ 735-145
Cast Iron & Heavy Gauge Steel construction	✓	✓	✓	✓
Integral Heat Shields (page 72)	✓	✓	✓	✓
Cleanburn & Airwash Systems	✓	✓	✓	✓
DEFRA Exempt for Smoke Control Areas	✓	✓	✓	✓
Ecodesign Plus (page 68)	✓	✓	✓	✓
12mm Hearth Compatible (page 73)	✓	✓	✓	-
Flue Outlet	5" Top or Rear	5" Top or Rear	5" Top or Rear	6" Top or Rear
Maximum Log Length	200mm	330mm	400mm	450mm



*With external riddling For complete technical information see page 62 onwards

Nominal heat outputs, efficiencies & efficiency ratings are based on maximum achievable across that size variation. For full efficiency data see page 69



County 3

Multi-fuel Stove, shown burning logs

Chesterfield 5 Wide

*Multi-fuel Stove burning logs, shown
with Ceramic Wood-effect Beam*





Chesterfield The Chesterfield Range

WOOD & MULTI-FUEL STOVES



Delivering exceptional heating performance, the Chesterfield stove range combines reimagined classic styling and modern aesthetics. Tasteful bevelling, sweeping curves, and an elegant Rose Scroll door handle enhance its clean lines, while powerful internal Airwash jets keep the expansive glass panel clear, offering a magnificent view of the flames.



“

Looking forward to many snug evenings during the upcoming winter, and saving on our heating bills as well!



Peter, Leigh-on-Sea. See the full story and thousands more at stovax.com/review

Chesterfield 5
Multi-fuel Stove burning logs

Chesterfield Key Features

- Two Size Options
- Woodburning & Multi-fuel models
- Ecodesign Plus (see page 68)
- Convector Heat Flow System
- Cast Iron & Heavy Gauge Steel
- Cleanburn and Airwash Systems
- DEFRA Exempt for Smoke Control Areas
- Integral Heat Shields
- Optional Longer Legs
- Optional dedicated external air kit (see page 72)
- Room vent not normally required (see page 72)
- 12mm hearth compatible (see page 73)
- Matt Black Finish



Electric and Gas models
available - see page 80



Chesterfield 5 Wide

Multi-fuel Stove burning logs,
with Optional Longer Legs





Chesterfield 5
Woodburning Stove, shown with
Grafton Limestone Mantel

Chesterfield Stoves

Range Summary



Chesterfield 5



Chesterfield 5 Wide

Nominal Heat Output & Range

5kW
(2.5 - 7kW)

5kW
(2.5 - 7kW)

Energy Efficiency Class

A+

A

Maximum Efficiency

79.5%

79.4%

Multi-fuel Model

✓ 705-562*

✓ 735-479*

Woodburning Model

✓ 705-332

-

Optional External Air Kit (page 72)

✓ SH-5AIR

✓ SH-5WIDAIR

Optional Longer Legs (170mm)

✓ 705-807

✓ 705-807

Cast Iron & Heavy Gauge

✓

✓

Steel construction

✓

✓

Integral Heat Shields

✓

✓

Convactor Heat Flow System (page 73)

✓

✓

Cleanburn & Airwash Systems

✓

✓

DEFRA Exempt

✓

✓

for Smoke Control Areas

✓

✓

12mm Hearth Compatible (page 73)

✓

✓

Ecodesign Plus (page 68)

✓

✓

Flue Outlet

5" top or rear

5" top or rear

Maximum Log Length

330mm

400mm

Electric & Gas Models Available (page 80)



✓

-



*With external riddling For complete technical information see page 62 onwards

Nominal heat outputs, efficiencies & efficiency ratings are based on maximum achievable across that size variation.

For full efficiency data see page 69

Chesterfield 5

Woodburning Stove, shown
with Optional Longer Legs.





SEE IT
BURNING AT:
[stovax.com/
sheraton](http://stovax.com/sheraton)

Sheraton 5
Woodburning Stove



The Sheraton Range

WOOD & MULTI-FUEL STOVES



The Sheraton's classic but sophisticated aesthetics are designed to grace period or modern interiors alike. With an expansive stove window that prioritises visuals granting a superb views of the fire, these stoves are perfect for town or country living.



Sheraton 5

Woodburning Stove, shown with Stovax Cavendish Bolection Limestone Mantel

Sheraton

Key Features

- Two Size Options
- Woodburning & Multi-fuel models
- Ecodesign Plus (see page 68)
- Cast Iron & Heavy Gauge Steel
- Cleanburn and Airwash Systems
- Convector Heat Flow System
- DEFRA Exempt for Smoke Control Areas
- Integral Heat Shields (see page 72)
- Room vent not normally required (see page 72)
- 12mm hearth compatible (see page 73)
- Matt Black Finish
- Optional Dedicated External Air Kit (see page 72)

For additional imagery see page 10



Electric and Gas models
available - see page 80





“

The Sheraton 5 is the perfect mixture of traditional and modern - it has a timeless elegance to it



Claire, Dunoon. See the full story and thousands more at stovax.com/review

Sheraton 5 Wide

Multi-fuel Stove shown burning logs 49

Sheraton 5

*Multi-fuel Stove, shown
burning logs*



SEE IT
BURNING AT:
[stovax.com/
sheraton](http://stovax.com/sheraton)

Sheraton Stoves

Range Summary



Sheraton 5



Sheraton 5 Wide

Nominal Heat Output & Range

5kW
(2 - 7kW)

5kW
(2.5 - 7kW)

Energy Efficiency Class

A+

A

Maximum Efficiency

79.5%

79.4%

Multi-fuel Model

✓ SH-5M-E*

✓ SH-5WIDM-E*

Woodburning Model

✓ SH-5W-E

-

Optional External Air Kit (page 72)

✓ SH-5AIR

✓ SH-5WIDAIR

Cast Iron & Heavy Gauge Steel construction

✓

✓

Integral Heat Shields (page 72)

✓

✓

Cleanburn & Airwash Systems

✓

✓

Convactor Heat Flow System

✓

✓

DEFRA Exempt

✓

✓

for Smoke Control Areas

✓

✓

Ecodesign Plus (page 68)

✓

✓

12mm Hearth Compatible (page 73)

✓

✓

Flue Outlet

5" top or rear

5" top or rear

Maximum Log Length

330mm

400mm

Electric & Gas Models Available (page 80)



✓

-



*With external riddling For complete technical information see page 62 onwards

Nominal heat outputs, efficiencies & efficiency ratings are based on maximum achievable across that size variation.

For full efficiency data see page 69



Sheraton 5 Wide

Multi-fuel Stove, with Victorian Corbel Limestone Mantel, shown burning logs



Vogue Midi

*Woodburning Stove with optional Plinth
in Claremont Limestone Mantel*



SEE IT
BURNING AT:
[stovax.com/
vogue](https://stovax.com/vogue)

The Vogue Range

WOOD & MULTI-FUEL STOVES



Presenting a stunning view of the flames, Vogue models feature a signature bevelled cast iron door with an expansive glass viewing window, kept clear by the powerful Airwash system that also aids the range's high levels of combustion efficiency. The Vogue range offers versatile mounting options including plinths, log stores and benches ensuring a perfect fit for any interior design.



“

A thing of pure beauty with a nice big viewing window for fire gazing. Makes a stunning feature piece.



Seth, London. See the full story and thousands more at stovax.com/review

Vogue Medium
Woodburning Stove

Vogue

Key Features

- Six Size Options
- Woodburning & Multi-fuel models
- Ecodesign Plus (see page 68)
- Cast Iron & Heavy Gauge Steel
- Cleanburn and Airwash Systems
- DEFRA Exempt for Smoke Control Areas
- Integral Cast Iron Top Plate
- Optional dedicated external air kit (see page 72)
- Optional Plinth & Midline wood store bases
- Room vent not normally required (see page 72)
- Stove bench compatible (see page 74)
- 12mm hearth compatible* (see page 73)
- Matt Black Finish

For additional imagery see pages 62 & 75



*Applicable to Vogue Small, Small T, Midi and Midi T

Electric and Gas models
available - see page 80



Vogue Small T
Multi-fuel Stove shown with
optional Midline Log Store Base
burning logs

Vogue Midi

Woodburning Stove with optional
Midline Log Store Base



SEE IT
BURNING AT:
[stovax.com/
vogue](http://stovax.com/vogue)



Vogue Stoves

Versatile styling options to suit your space

Offering a superb view of the flames, the versatile styling of the Vogue fits perfectly into contemporary and traditional interiors alike. With a range of mounting options available, such as a Midline Log Store, Stove Bench, or with or without a Plinth, it can be tailored to suit various needs and styles. Alternatively, the Midi T models can also be wall mounted for a completely different, modern aesthetic.



Stove Benches

See page 74 for more details on stove benches



Plinth



Midline Log Store



Vogue Midi
Woodburning Stove with 120 High Bench¹



Vogue Small
Woodburning stove with optional Plinth



Vogue Midi T
Woodburning Stove with optional wall mounting
bracket and optional Plinth Base, rear flued

¹ When storing logs under stove benches Stovax advise this should be offset to one side and not directly beneath the stove's position. If placing beneath the stove there should be a minimum 50mm air gap above logs.



SEE IT
BURNING AT:
[stovax.com/
vogue](http://stovax.com/vogue)

Vogue Medium Slimline
Multi-fuel Stove with optional Midline Log Store Base



Range Summary



Vogue **Small**



Vogue **Small T**



Vogue **Midi**



Vogue **Midi T**



Vogue **Medium**



Vogue **Medium Slimline**

Nominal Heat Output & Range

5kW
(2 - 7kW)

4.8kW
(3.5 - 7.5kW)

5kW
(2.5 - 7kW)

5kW
(2.5 - 7kW)

7.8kW
(5 - 11kW)

5kW
(2.5 - 7kW)

Energy Efficiency Class

A+

A

A+

A

A

A

Maximum Efficiency

80.7%

80.2%

79.5%

79.8%

80.8%

79.4%

Multi-fuel	-	✓ VG-SMTMU-E*	✓ VG-MIDMU-E*	✓ VG-MIDTMU-E*	✓ VG-MEDMU-E*	✓ VG-MEDSLMU-E*
Woodburner	✓ VG-SMWU-E	✓ VG-SMTWU-E	✓ VG-MIDWU-E	✓ VG-MIDTWU-E	✓ VG-MEDWU-E	-
Plinth Base	✓ VG-SM-BP	✓ VG-SM-BP	✓ VG-MID-BP	✓ VG-MID-BP	✓ VG-MED-BP	✓ VG-MEDSL-BP
Midline Base	✓ VG-SM-BML-E	✓ VG-SM-BML-E	✓ VG-MID-BML-E	✓ VG-MID-BML-E	✓ VG-MED-BML	✓ VG-MEDSL-BML
Optional External Air Kit (page 72)	✓ SMAIR-E	✓ SMAIR-E	✓ MIDAIR-E	✓ MIDAIR-E	✓ MEDAIR-E	✓ MEDSLAIR-E
Heat Shield	✓ VG-SMHSK-E	✓ VG-SMTHSKE-E	✓ VG-MIDHSK-E	✓ VG-MIDTHSK-E	✓ VG-MEDHSK-E	✓ VG-MEDHSK-E
Wood Kit	-	✓ WDKITSM	-	-	-	-
Wall Mounting Bracket	-	-	-	✓ MIDWM	-	-
Ecodesign Plus (page 68)	✓	✓	✓	✓	✓	✓
Cast Iron & Heavy Gauge Steel construction	✓	✓	✓	✓	✓	✓
Stove Bench Compatible (page 74)	✓	✓	✓	✓	✓	✓
Cleanburn & Airwash Systems	✓	✓	✓	✓	✓	✓
DEFRA Exempt for Smoke Control Areas	✓	✓	✓	✓	✓	✓
12mm Hearth Compatible (page 73)	✓	✓	✓	✓	✓	✓
Flue Outlet	5" Top or Rear	5" Top or Rear	5" Top or Rear	5" Top or Rear	6" Top or Rear	5" Top or Rear
Maximum Log Length	280mm	280mm	330mm	330mm	430mm	400mm
Electric & Gas Models Available (page 80)	✓	-	✓	✓	-	-

Fires at the Forefront of Contemporary Design

Alongside the stoves in this brochure, Stovax also offer signature cassette, stove and freestanding Ecodesign fire ranges. Providing the same high efficiency and clean burning combustion, these contemporary models redefine modern fire aesthetics.

These Ecodesign fire ranges represent the pinnacle of fire and stove design, with pure, minimalist styles that create an arresting centrepiece in any setting.

From the sublime Studio Air range, with its expansive landscape flame visuals, to the versatile Riva2 collection, these models can be selected in various sizes and heat outputs to suit your home.



Studio 3 Freestanding, Woodburning Fire



Riva2 50 Woodburning Fire, with Profil XS 4-sided frame



Studio Air 2 Woodburning Fire, shown with Profil Frame and white decorative trim



To find out more about these designer fire ranges, ask your local retailer or visit www.stovax.com.

Vogue 700 Inset

Fireside allure meets industrial-chic

With landscape proportions, a cast iron door, and signature subtle contours echoed across the build of its exterior, the Vogue 700 Inset is more than just a fire - it's a designer centrepiece.

The Vogue 700 Inset offers an expansive view of vivid flames through its wide viewing window, and burns with high efficiency. A single air control make for easy operation, with a discreet door handle that has been ergonomically engineered for both functions and aesthetics.

Nominal Heat Output & Range	7kW (4 - 11kW)
Energy Efficiency Class	A
Maximum Efficiency	77%
Multi-fuel	-
Woodburner	✓ 323-007
Optional External Air Kit (page 72)	✓ 323-900
Ecodesign Plus (page 68)	✓
Cast Iron & Heavy Gauge Steel construction	✓
Cleanburn & Airwash Systems	✓
DEFRA Exempt for Smoke Control Areas	✓
Flue Outlet	6" Top
Maximum Log Length	400mm



For complete technical information see page 62 onwards

Nominal heat outputs and efficiencies are based on maximum achievable across that size variation.

For full efficiency data see page 69



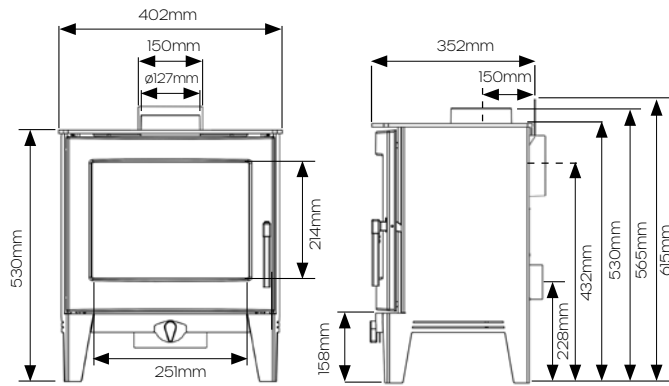
Technical Information

An approved competent person of solid fuel installations should undertake a site survey prior to purchase and must install any Stovax stove. Your Stovax retailer will be able to advise on this. The following information is to assist you in your choice of a suitable Stovax stove. It is not intended to be all the information required to install your fire or stove; this can be obtained from your local Stovax retailer or you can view and download the relevant full installation instructions from the Stovax website at www.stovax.com.



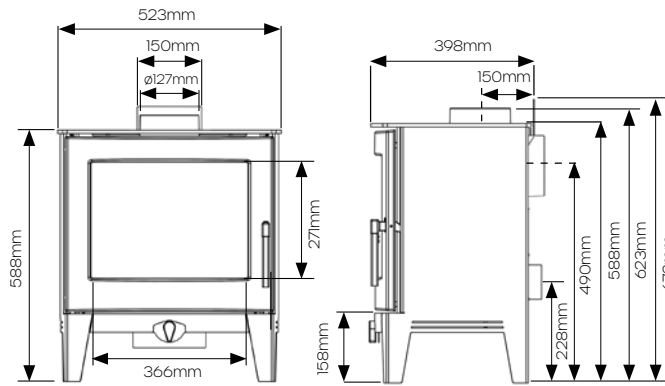
Vogue Midi T Woodburning Stove, with optional Midline Logstore base, see pages 52 - 59

Futura 4 14 - 19



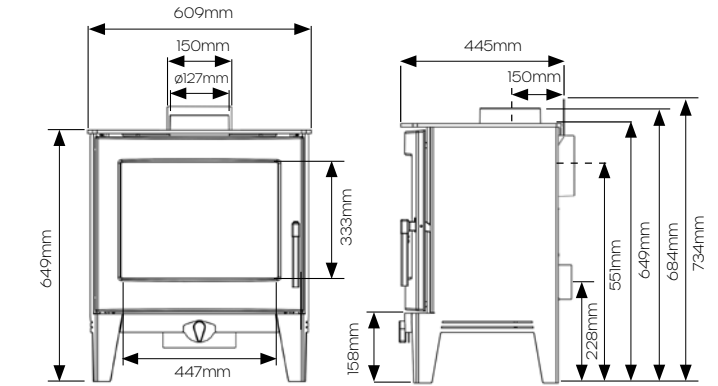
 Approx: (WB) 58kg, (MF) 59kg

Futura 5 14 - 19



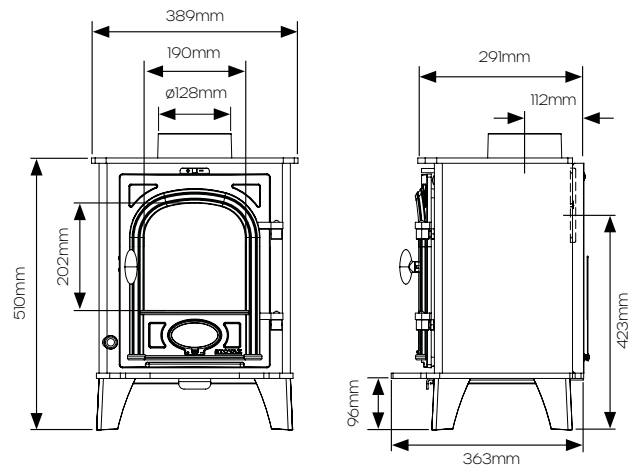
 Approx: (WB) 81kg, (MF) 84kg

Futura 8 14 - 19



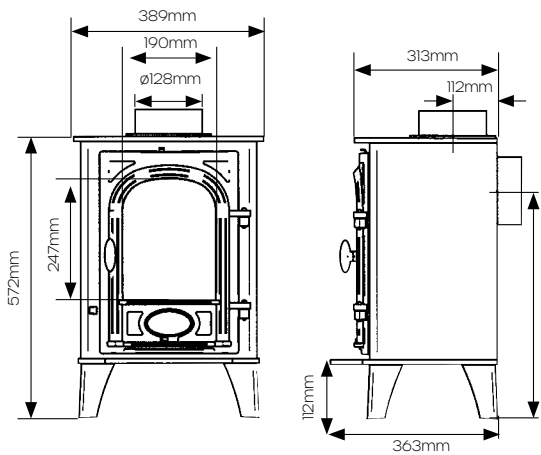
 Approx: 106kg


Stockton 3 20 - 27



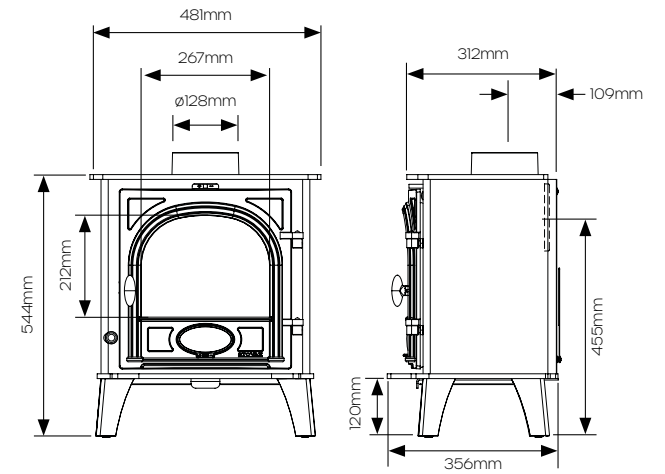
 Approx: 76kg

Stockton 4 20 - 27



 Approx: (WB) 66kg, (MF) 74kg

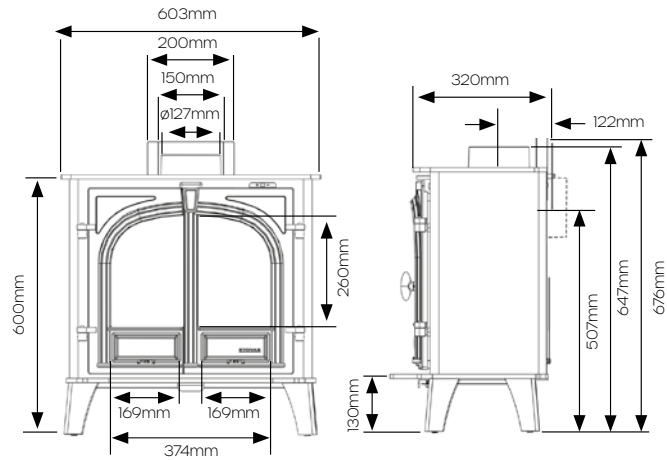
Stockton 5 20 - 27



 Approx: (WB) 76kg, (MF) 86kg

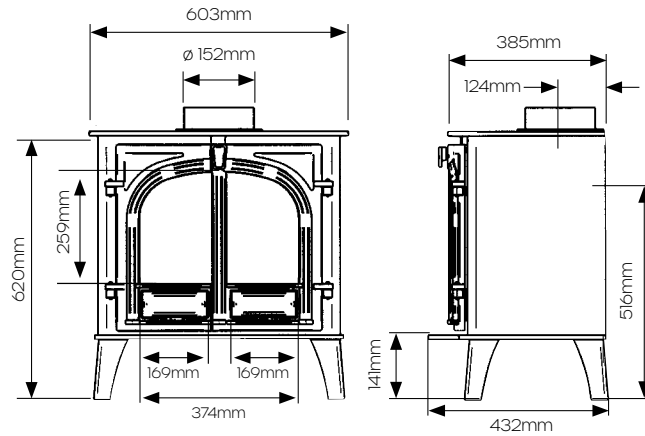
Technical Information

Stockton **5 Wide** 20-27



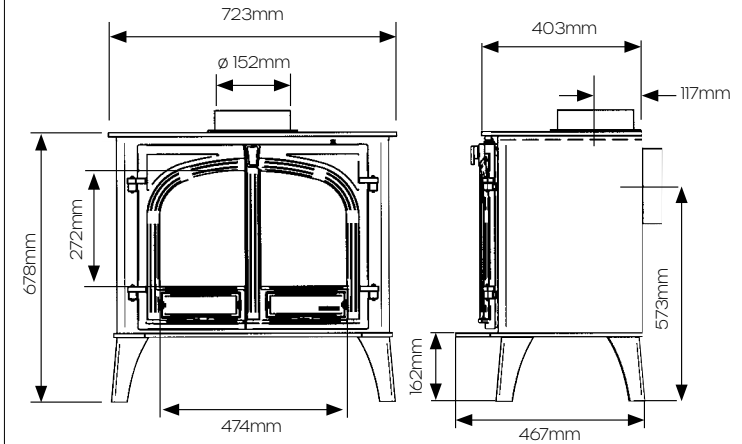
Approx: (MF) 87kg

Stockton **8** 20-27



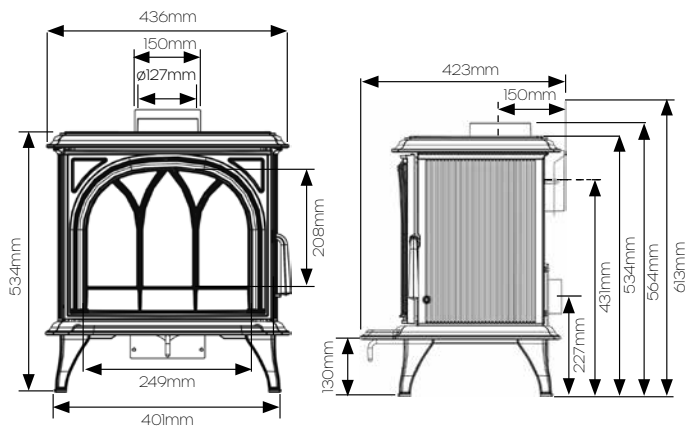
Approx: (WB) 115kg, (MF) 132kg

Stockton **11** 20-27



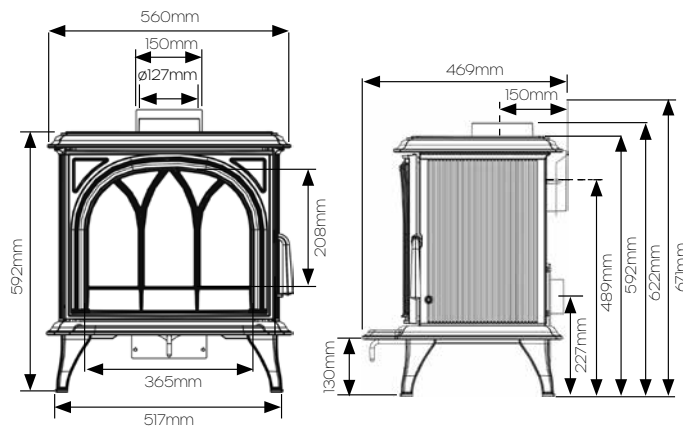
Approx: 160kg

Huntingdon **20** 28 - 33



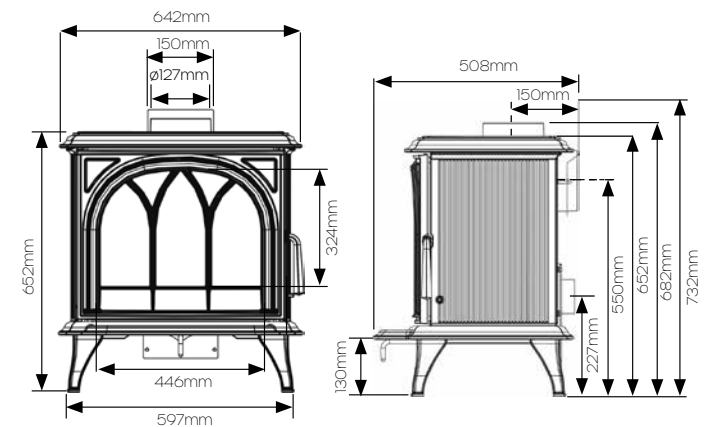
Approx: (WB) Clear Door: 68kg / Tracery Door: 69kg
(MF) Clear Door: 70kg / Tracery Door: 71kg

Huntingdon **30** 28 - 33



Approx: (WB) Clear Door: 88kg / Tracery Door: 89kg
(MF) Clear Door: 92kg / Tracery Door: 93kg

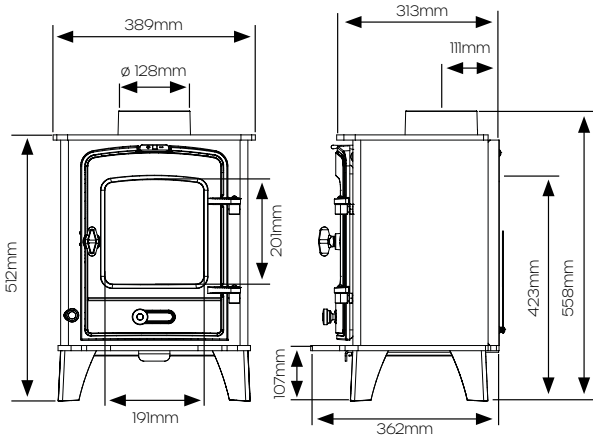
Huntingdon **40** 28 - 33



Approx: Clear Door: 115kg / Tracery Door: 116kg

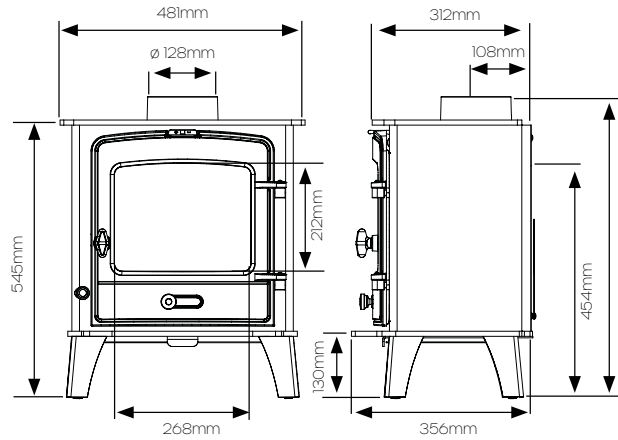
Technical Information


County 3 34 - 39



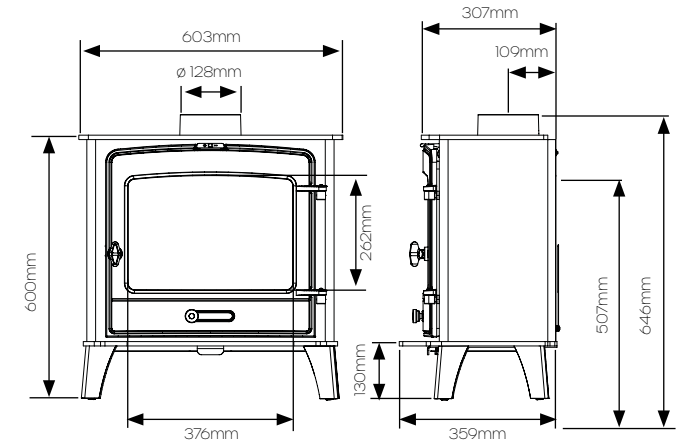
 Approx: 72kg

County 5 34 - 39



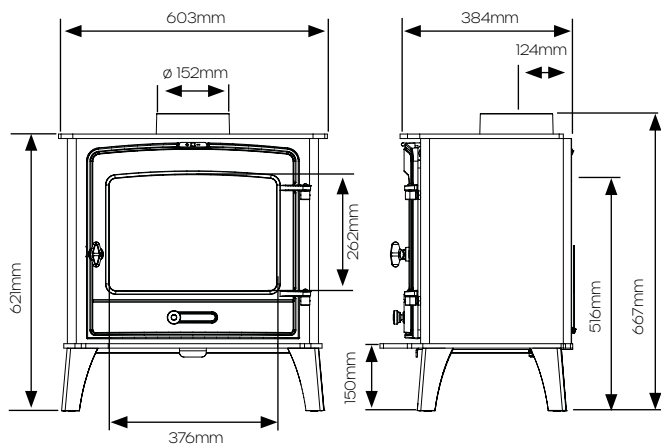
 Approx: (WB) 77kg, (MF) 87kg

County 5 Wide 34 - 39



 Approx: 87kg

County 8 34 - 39

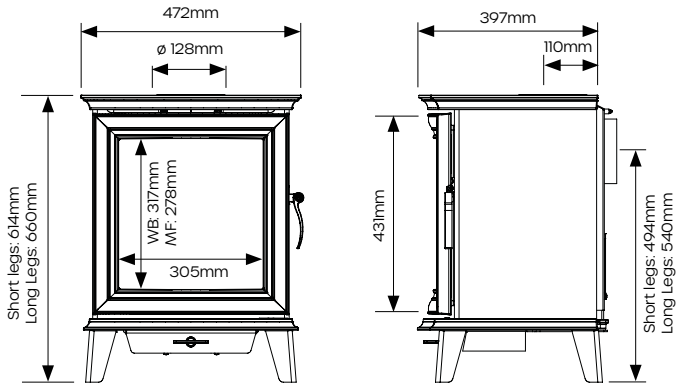


 Approx: 112kg



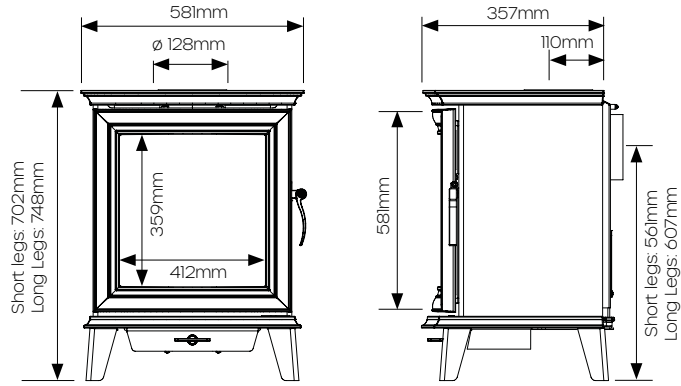
Technical Information

Chesterfield 5 40 - 45



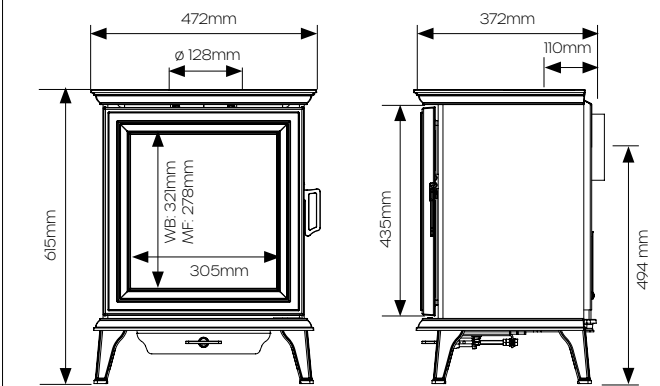
Approx: (WB) 92kg, (MF) 95kg

Chesterfield 5 Wide 40 - 45



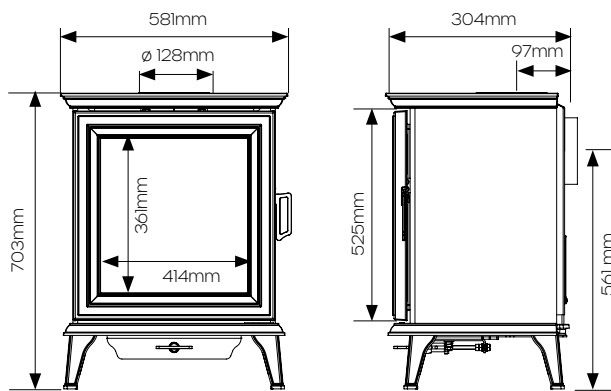
Approx: 110kg

Sheraton 5 46 - 51



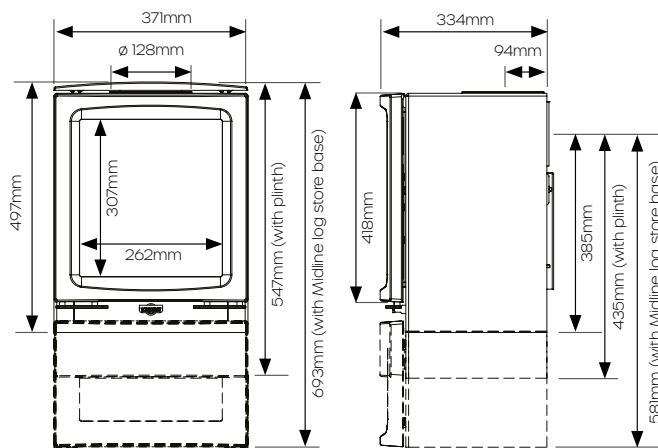
Approx: (WB) 92kg, (MF) 95kg

Sheraton 5 Wide 46 - 51



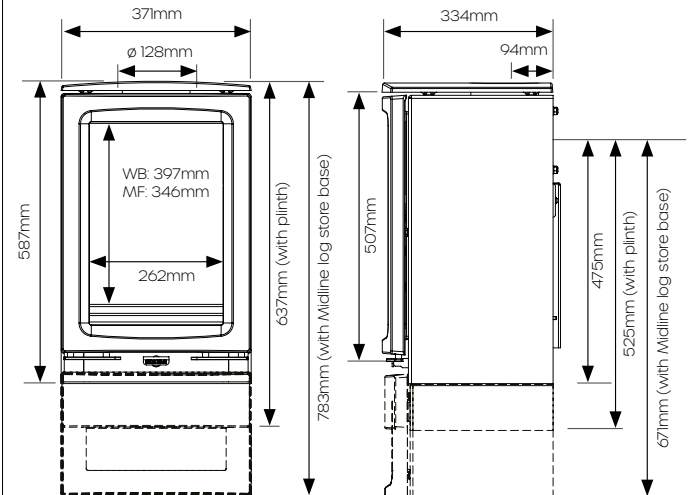
Approx: 110kg

Vogue Small 52 - 59



Approx: 68kg

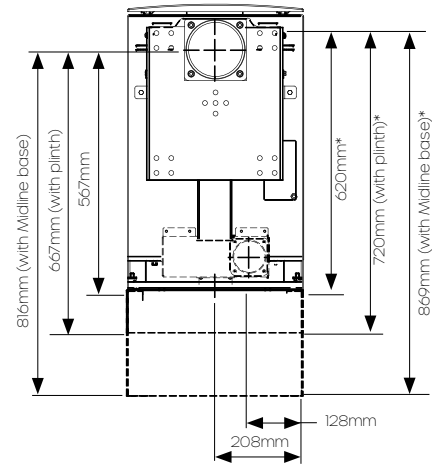
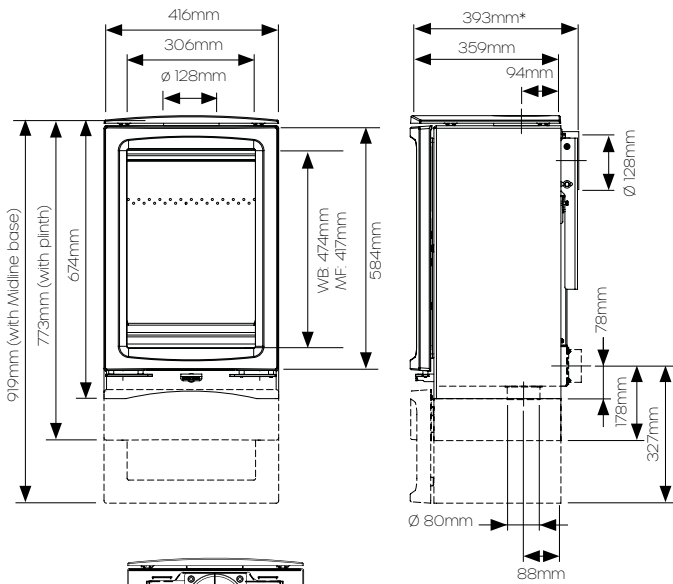
Vogue Small T 52 - 59



Approx: (WB) 74kg, (MF) 76kg

Technical Information

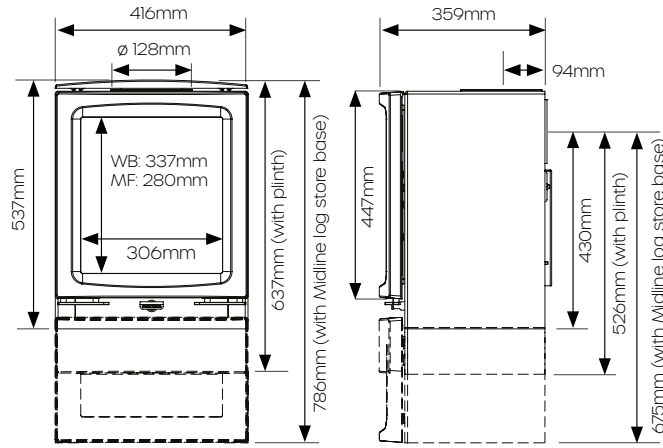
Vogue **Midi T & Wall Hung** 52 - 59



* When fitted with optional Wall Mounting Bracket

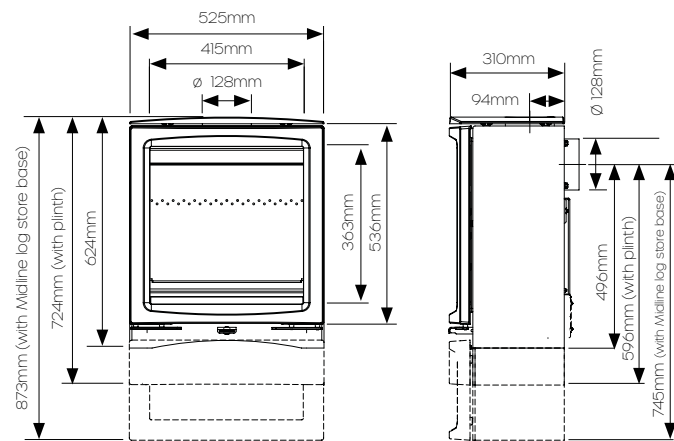
Approx: (WB) 91kg, (MF) 93kg

Vogue **Midi** 52 - 59



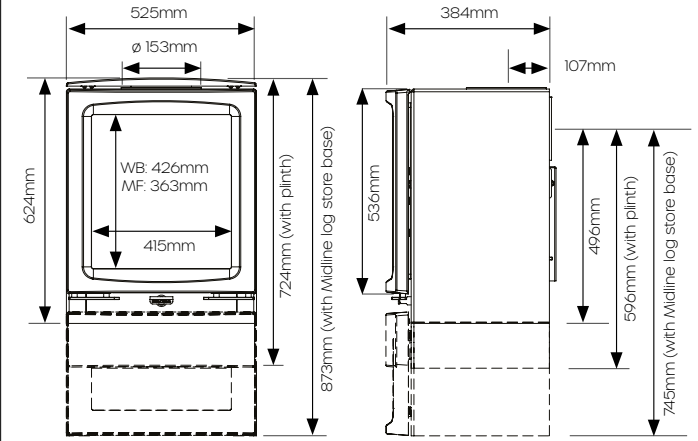
Approx: (WB) 83kg, (MF) 85kg

Vogue **Medium Slimline** 52 - 59



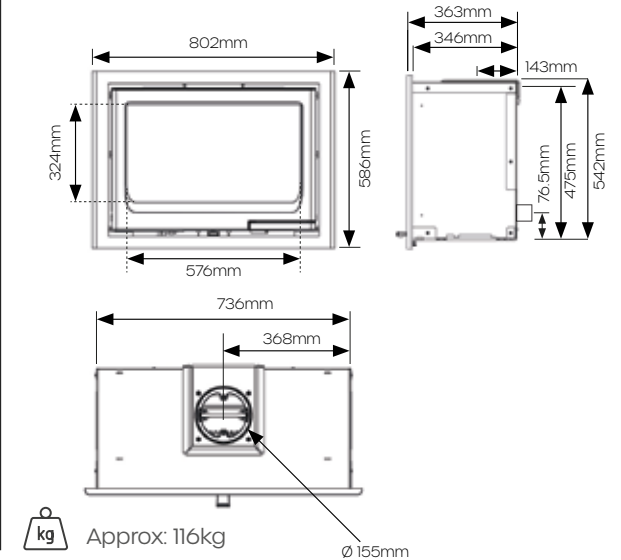
Approx: (WB) 98kg, (MF) 101kg

Vogue **Medium** 52 - 59



Approx: 120kg

Vogue **700 Inset** 61



Approx: 116kg

Exceeding EcoDesign

Designed with the very latest firebox engineering, our Ecodesign Plus woodburning and multi-fuel appliances represent the cutting-edge of stove design. Their low emission, high efficiency combustion systems ensure that substances present in smoke emissions such as Carbon Monoxide (CO), nitrogen oxides (NOX), Organic Gaseous Compounds (OGC) and particulates (PM) are minimised.

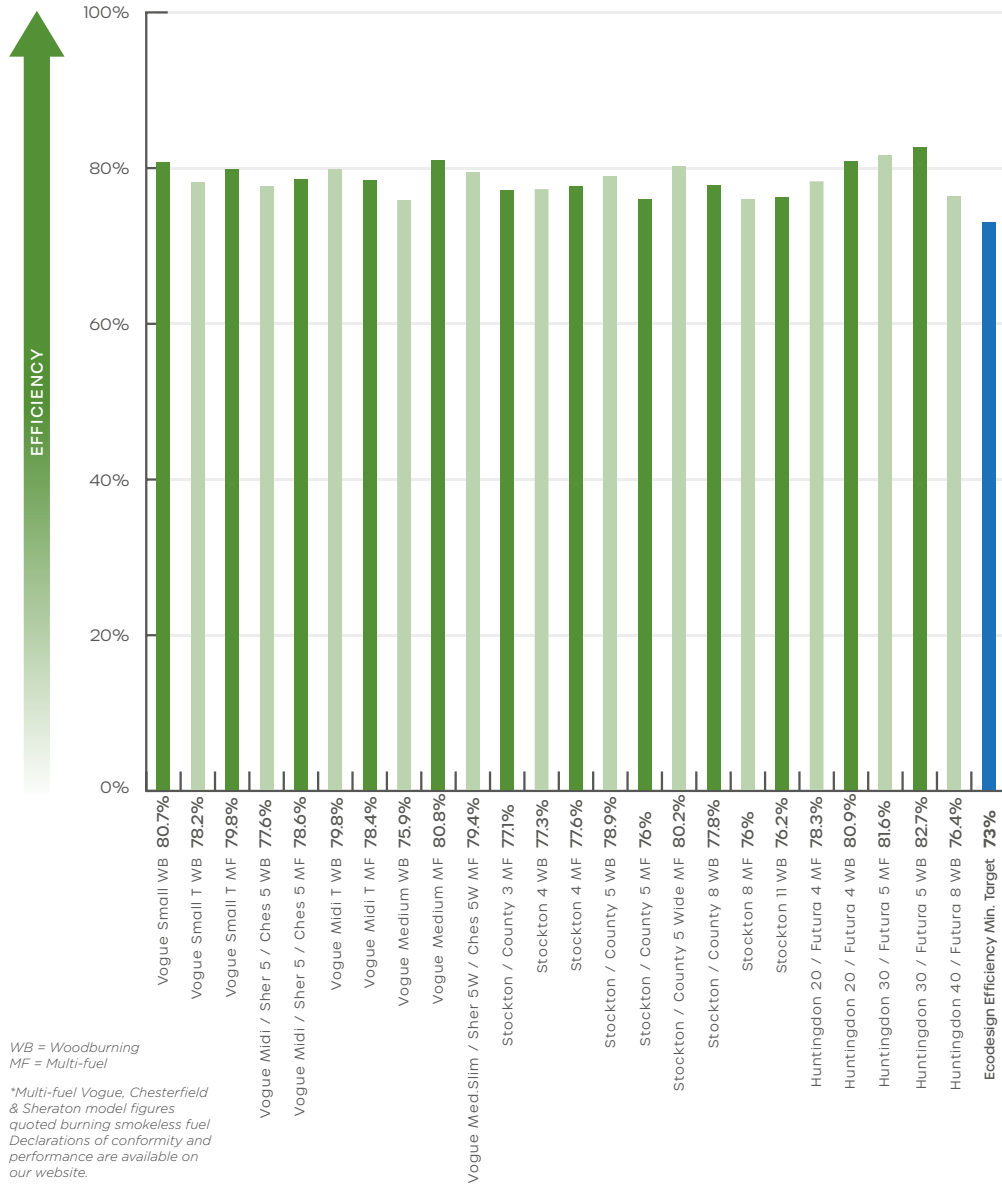


Thanks to their eco-focused design, all Ecodesign stoves easily pass Smoke Control Zone requirements making them suitable for installation in urban and rural areas alike.



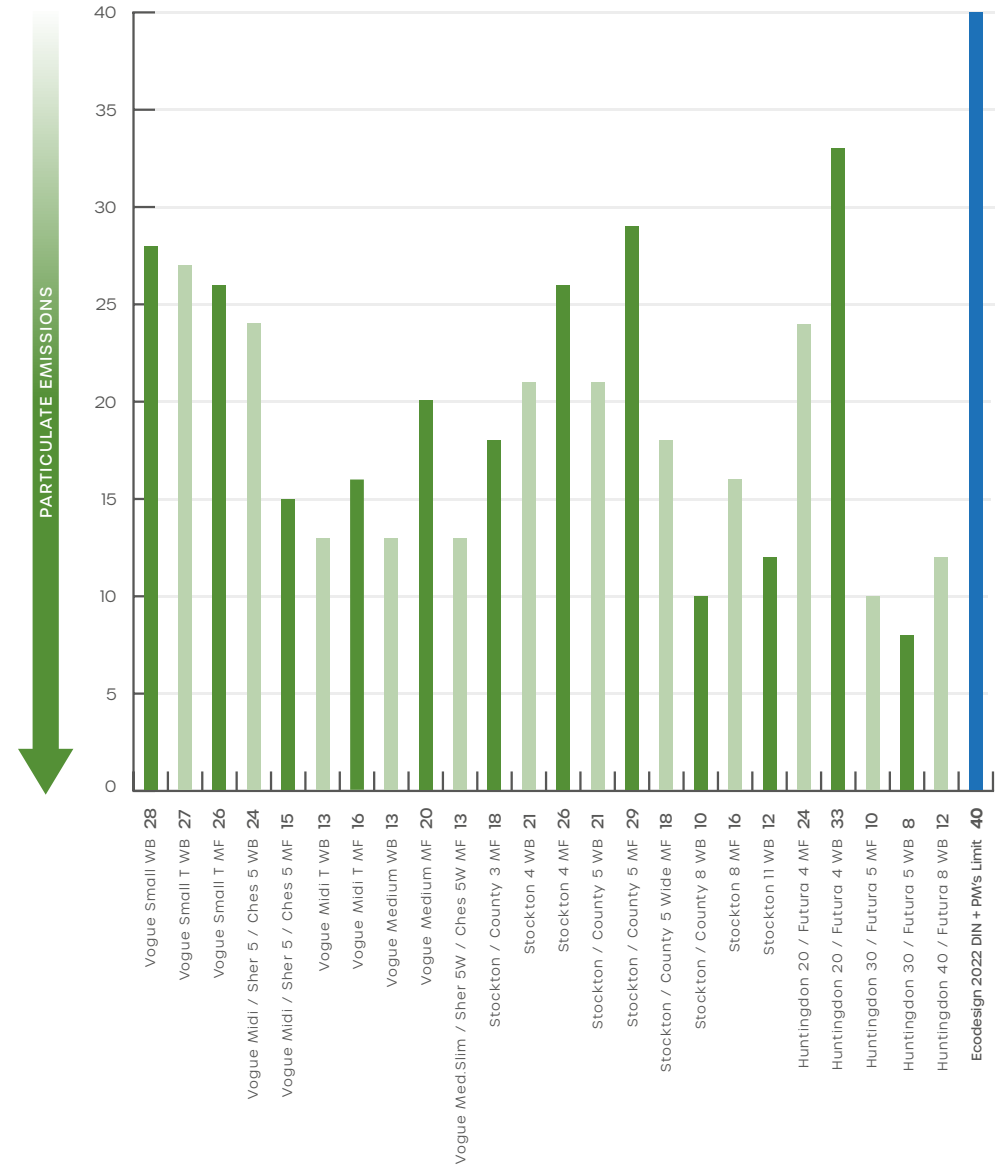
Total Efficiency %

Balancing a stove's efficiency with cleanliness of burning is a precise science, requiring expert engineering and meticulous testing. All our Ecodesign Plus stoves surpass the 2022 Ecodesign Efficiency target of 73%, resulting in a range of truly environmentally designed products



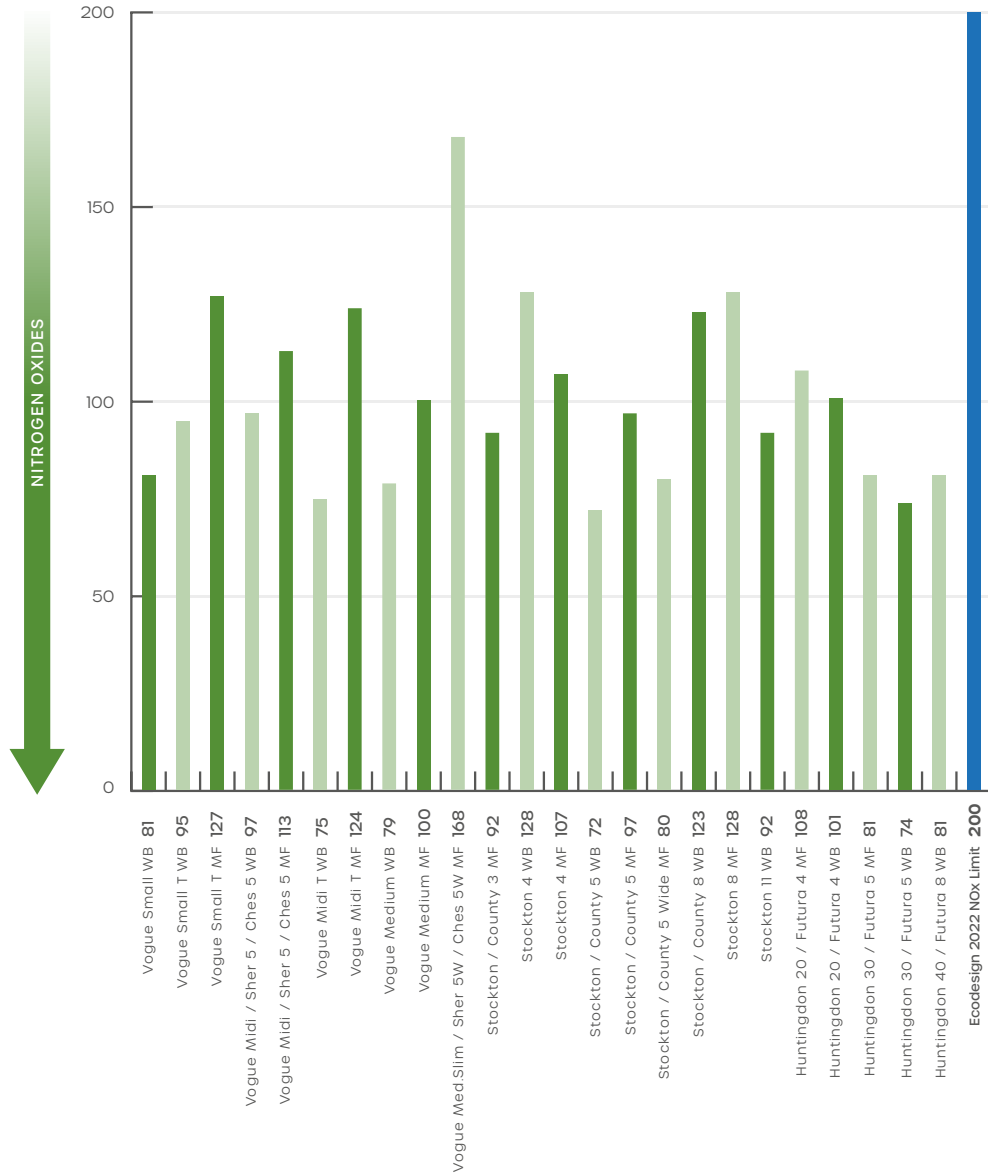
PM (Particulate Matter) mg/m³

Although PMs are currently measured for UK smokeless zone requirements, Ecodesign emission requirements are much tighter. Our Ecodesign stoves burn well below these tougher PM targets, with some models generating almost two thirds less than the permitted PM emission amount of 40 mg/m³.



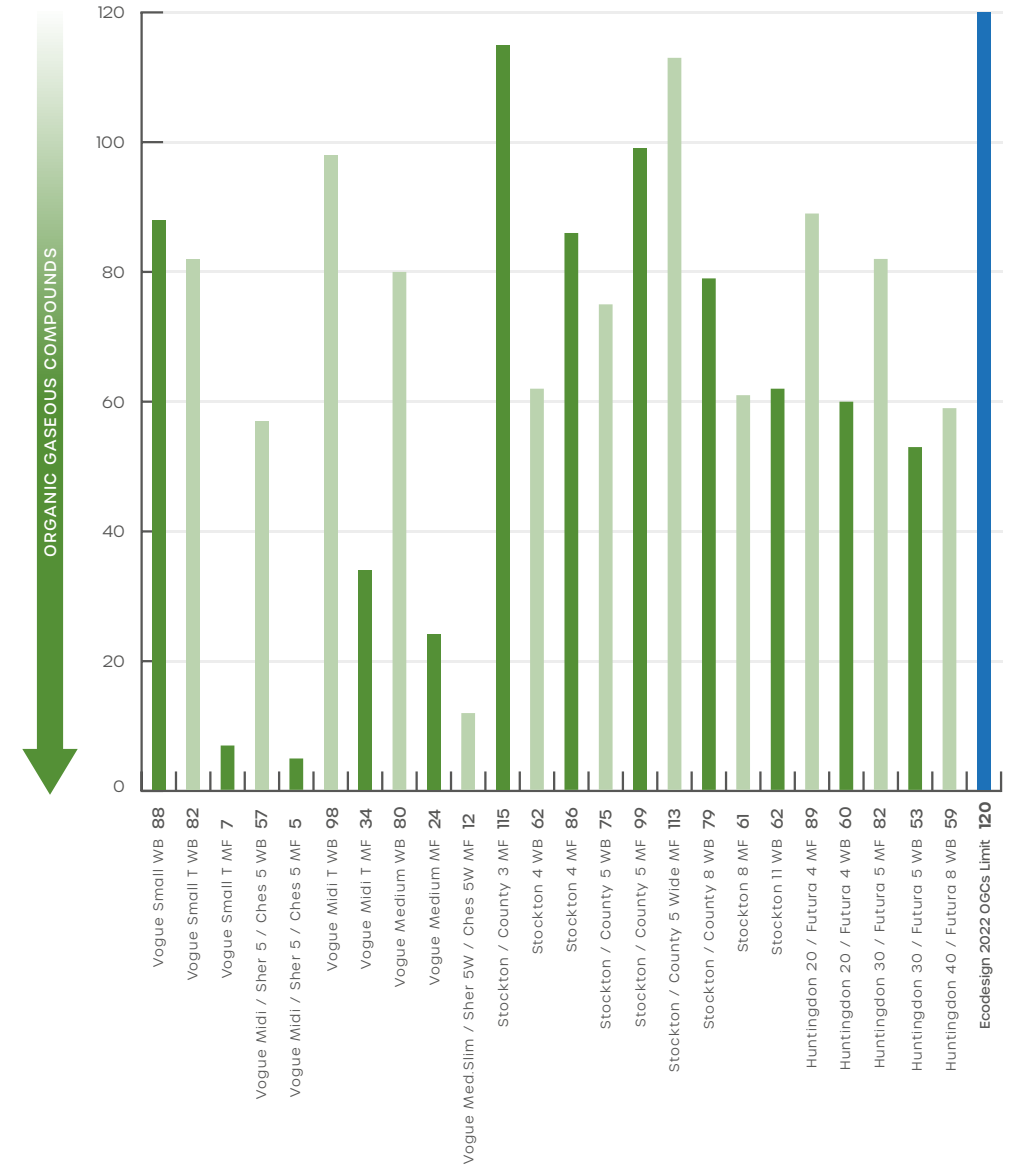
NOx (Nitrogen Oxides) mg/m³

Nitrogen oxides affect air quality and are another emission requirement of Ecodesign. All Stovax Ecodesign stoves demonstrate NOx emissions that are well below the permitted amount.



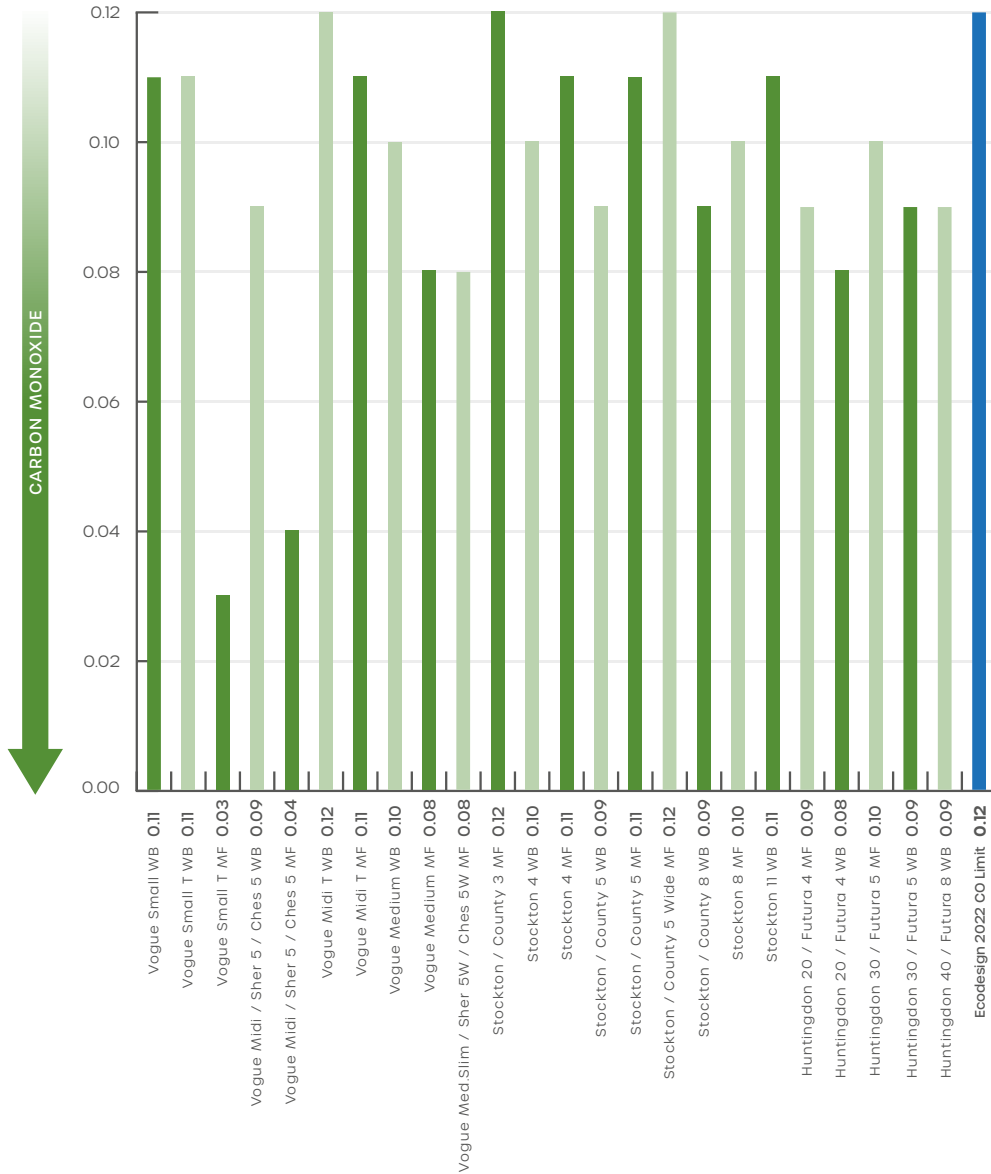
OGCs (Organic Gaseous Compounds) mg/m³

Minimising OGCs is also an important requirement of Ecodesign standards. All Stovax Ecodesign stoves fall comfortably below this exacting emission target.



CO (Carbon Monoxide) % @ 13% O₂

Ecodesign limits dramatically reduce the current UK Carbon Monoxide emission limits by a massive 88%, from 1% @ 13% O₂ to 0.12%. All Stovax Ecodesign stoves meet this stringent standard.



Futura 4 Woodburning Stove, with I20 High Bench, see page 14 - 19



Further Information

Stovax Heat Shields

Stovax offer a range of highly effective Heat shields for the Vogue stove range. These fantastic additions will allow a reduction in the distance to combustible materials at the rear and sides of the stoves as shown below. The Stovax Heat Shields not only maximise the available space within the room, but they also enable you to accommodate a wider range of materials in your interior design. For more information, please speak to your local Stovax retailer.

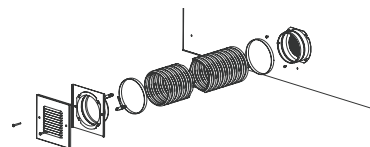
Stove	Product Code	Distance from sides	Distance from rear
Vogue Small	VG-SMHSK-E	350mm	100mm
Vogue Small T	VG-SMTHSK-E	350mm	100mm
Vogue Midi	VG-MIDHSK-E	400mm	100mm
Vogue Midi T	VG-MIDTHSK-E	400mm	100mm
Vogue Medium	VG-MEDHSK-E	300mm	50mm
Vogue Medium Slimline	VG-MEDHSK-E	300mm	50mm

Room Ventilation & Direct Air Supply

While every installation is different, some stoves may require ventilation into the room they are installed in, with the size of the vent dependent on the kW output of the appliance. To minimise cold draughts that may be introduced by having a room vent open to the outside, Stovax have developed a range of woodburning stoves and fires which are compatible with a dedicated external air supply.

Designed from conception to be airtight, some of our stoves including Chesterfield, Sheraton & Vogue stoves can be optionally installed with a dedicated external air supply, meaning they do not need to draw any air from the room. This potentially negates the need for an additional air vent, therefore minimising drafts.

Stoves in the Futura and Huntingdon ranges come ready to be installed with an external air supply, without the need for an additional bespoke kit. Thanks to their built-in air connections, all that is needed for these stoves to take combustion air from the outside of your property is to be connected to an external air pipe.



Stoves with Integral Heat Shields

The stoves below come complete with integral heat shields for reduced distances to combustible materials

Stove	Distance from sides	Distance from rear
Sheraton 5	300mm	50mm*
Sheraton 5 Wide	250mm	50mm*
Stockton 3	400mm	150mm*
Stockton 4 Wood	350mm	250mm*
Stockton 4 Multi-Fuel	450mm	300mm*
Stockton 5 Wood	350mm	150mm*
Stockton 5 Multi-Fuel	400mm	150mm*
Stockton 8 Wood	500mm	300mm*
Stockton 8 Multi-Fuel	575mm	450mm*
Stockton 11	500mm	400mm*
Chesterfield 5	300mm	50mm*
Chesterfield 5 Wide	250mm	50mm*
Futura 4 Wood	150mm	75mm*
Futura 4 Multi-Fuel	225mm	150mm*
Futura 5	150mm	75mm*
Futura 8	150mm	100mm*
Huntingdon 20 Wood	175mm	75mm*
Huntingdon 20 Multi-Fuel	200mm	150mm*
Huntingdon 30	200mm	75mm*
Huntingdon 40	175mm	100mm*
County 3	400mm	150mm*
County 5	400mm	150mm*
County 5 Wide	400mm	300mm*
County 8	500mm	300mm*

* To achieve this clearance a Flue Shield must be used in conjunction with Twin Wall Flue Pipe.

Further Information

12mm Hearth Compatible Stoves

A large number of Stovax stoves are suitable for installation with just a 12mm hearth, negating the need for a typical constructional hearth and offering a wider range of installation options. See our complete list of 12mm hearth compatible stoves below.

- Chesterfield 5
- Chesterfield 5 Wide
- Sheraton 5
- Sheraton 5 Wide
- Huntingdon 20
- Huntingdon 30
- Stockton 3
- Stockton 4
- Stockton 5
- Stockton 5 Wide
- County 3
- County 5
- County 5 Wide
- Futura 4
- Futura 5
- Vogue Medium Slimline
- Vogue Medium
- Vogue Midi T*
- Vogue Midi
- Vogue Small T*
- Vogue Small

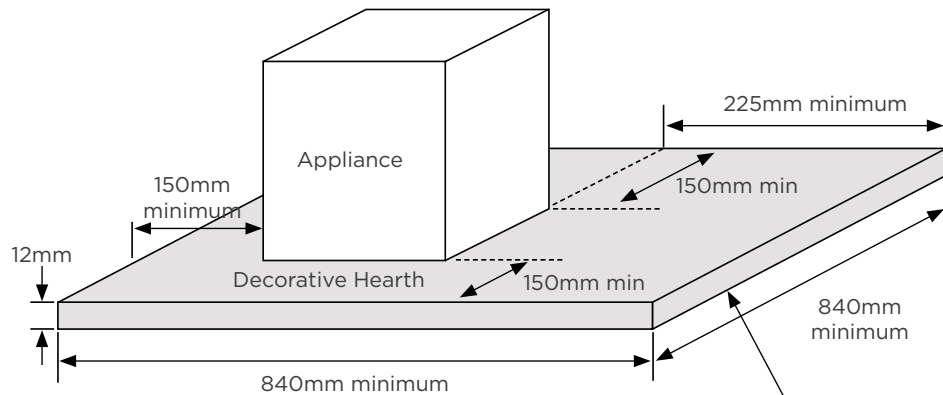
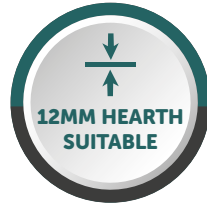


Diagram for illustrative purposes only. Please consult product instruction manuals for individual requirements.

* Woodburning model only.

Enamelled Flue Pipe

Our range of high quality flue pipes offer further installation options for your stove as well as optimum heating performance. The flue pipe diameters required for each model are shown on individual product pages.

5" Diameter

250mm Straight without door	998-145
500mm Straight without door	998-156
1000mm Straight without door	998-163
500mm Straight with door	998-170
1000mm Straight with door	998-184
510mm to 860mm Telescopic Straight without door	998-196
45° Elbow with door	998-240
45° Elbow without door	998-255
Tee Piece with End Cap	998-261

6" Diameter

250mm Straight without door	998-200
500mm Straight without door	998-207
1000mm Straight without door	998-214
500mm Straight with door	998-222
1000mm Straight with door	998-229
510mm to 860mm Telescopic Straight without door	998-233
45° Elbow with door	998-274
45° Elbow without door	998-295
Tee Piece with End Cap	998-301

Please note: owing to different production processes, we cannot guarantee a perfect match between pipe and stove.



Stove Benches

These versatile steel benches are compatible with Stovax's freestanding contemporary stoves. With a variety of size options, they offer greater design possibilities to accommodate your individual; styling requirements. You can even use the space beneath for log storage!

- Sturdy Steel construction
- Choice of sizes available
- Durable Matt Black finish
- Proportioned 60mm wide legs
- Allows for central or offset stove positioning

Product Code	Product	W (mm)	H (mm)	D (mm)
RVACLB45BHT	Bench 45 Low*	450	250	420
RVACB45BHT	Bench 45 High*	450	350	420
RVACLB100BHT	Bench 100 Low	1000	250	420
RVACB100BHT	Bench 100 High	1000	350	420
RVACLB120BHT	Bench 120 Low	1200	250	420
RVACB120BHT	Bench 120 High	1200	350	420
RVACLB140BHT	Bench 140 Low	1400	250	420
RVACB140BHT	Bench 140 High	1400	350	420
RVACLB180BHT	Bench 180 Low	1800	250	465
RVACB180BHT	Bench 180 High	1800	350	465
RVACLB120BHT-DP	Bench 120 Low, (Deep)	1200	250	500
RVACB120BHT-DP	Bench 120 High, (Deep)	1200	350	500
RVACLB140BHT-DP	Bench 140 Low, (Deep)	1400	250	500
RVACB140BHT-DP	Bench 140 High, (Deep)	1400	350	500
RVACLB180BHT-DP	Bench 180 Low, (Deep)	1800	250	500
RVACB180BHT-DP	Bench 180 High (Deep)	1800	350	500



45 High

100 High

120 High

140 High

* When storing logs under stove benches Stovax advise this should be offset to one side and not directly beneath the stove's position. If placing beneath the stove there should be a minimum 50mm air gap above logs.

* Suitable for Vogue Small, Small T, Midi & Midi T.

Professional XQ™ Chimney Systems

10
YEAR
EXTENDED
WARRANTY

For homes **without a chimney!**

Stovax also offers a comprehensive range of stove & fireplace chimney systems, the Stovax Professional XQ™ collection. Crafted from high grade stainless steel for a durable outer finish, the fully sealed components offer water tight protection for the insulation within.

With innovative decorative options, the ability to specify a colour for your system and with a host of technical advancements such as their Twist-Lock system, the Professional XQ™ range provides an attractive versatile and reliable solution for your flue system. Furthermore, the Professional XQ™ range carries a 10 year conditional warranty offering complete peace of mind.

For further information visit
stovax.com/chimneysystems





Accessories, Stove Care and Important Information

Care of your Stove

To help you get the best performance from your stove and keep it in good condition, inside and out, Stovax offers a wide range of cleaning and maintenance products. Your Stovax retailer will be able to give you full details or you may view the complete range at www.stovax.com.



Stockton 3 Multi-fuel Stove, shown burning logs, see page 20 - 27

Important Safety & Technical Information

We recommend that an approved competent person of solid fuel installations should undertake a site survey prior to purchase and it is a requirement that any Stovax Stove should be installed by an appropriately qualified approved installer.

All fires and stoves consume air as they burn. To comply with Building Regulations you may need to install a fixed air vent to ensure adequate ventilation. Your Stovax retailer or approved competent person of solid fuel installations will be able to advise on this. Furthermore, by law all installations also require a Carbon Monoxide monitor (such as product code 3045 available from Stovax). You can also download detailed installation instructions prior to purchase from www.stovax.com.

Please note that all parts of these stoves, particularly the glass panel in the door, become extremely hot during operation and can result in serious injury and burns if touched. It is therefore recommended that a fireguard complying with the current version of BS 8423 is used in the presence of young children, the elderly or infirm.



Brochure Photography

All of the flame pictures shown in this brochure are taken from real fires. Please note however, that flame pictures will vary depending on the exact fuel used, flue conditions and surrounding geographical features. Given that building regulations are subject to change, some of the photography in this brochure may not comply with the requirements of the latest Building Regulations. You should always check your proposed installation arrangement with your approved competent person of solid fuel installations before proceeding and observe the minimum distance to combustible materials as stated in the installation instructions. Some of the installations in this brochure are dependent on the use of heat shields to reduce required separation from combustible material.

*Huntingdon 40 Woodburning Stove,
with Tracery Door, see pages 28 - 33*





Independently Reviewed by Industry Expert, **The Tortoise**

Discover why Stovax woodburners are the leading choice for design aesthetics, quality manufacturing and high efficiency heating.



stovax.com/tortoisereviews

Product Improvement & Warranty Information

Stovax pursues a policy of constant product improvement. Products supplied may therefore differ in specification from those illustrated or described in this brochure, and you should always check the final specification with your Stovax retailer.

To secure an extended Five Year Warranty, register your new Stovax stove or fire with us after purchasing from an Approved Expert Retailer. Initially, this appliance is covered by a Two Year Warranty until extended by registering. Please be aware that these warranties exclude certain consumable parts and are dependent on your appliance being serviced by an appropriately qualified person 12 months after installation and annually thereafter.

Stoves and fires purchased outside of the Stovax Expert Retailer Network will carry a standard One Year Non-Extendable Warranty or the minimum statutory warranty for your country.

For full warranty details, visit our website at www.stovax.com



Futura 5 Woodburning Stove,
see pages 14 - 19

Sign up to our newsletter!

Sign up to our newsletter to get the latest on product releases, exclusive promotions, exciting giveaways and competitions, plus news updates!



stovax.com/signup



WIN

THE COST OF YOUR PRODUCT BACK!*

PREVIOUS WINNER!

For further home inspiration you can view real life installations at our Customer Showcase page and share your thoughts and photos of your new stove or fire installation to enter our draw!

- We will publish your entry on our Customer Showcase
- You will be entered into a draw for the chance to win the cost of your product back.
- **Gain a second entry** by registering your product online for your free extended warranty at stovax.com/registration



"Really happy with the stove. I still can't believe it!"



"Amazing, beats all our expectations"



It looks fantastic!

View real life installations and submit your review at:
stovax.com/customershowcase

*Terms and conditions apply. See online for details.



Have you considered gas and electric?



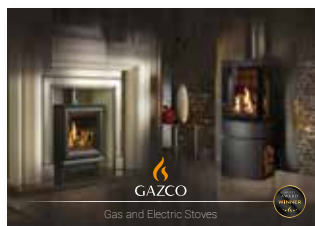
Many of the stoves in this brochure are also available in gas and electric versions. Offering all the ambience of a woodburning model, these innovative stoves provide superb flame visuals at the touch of a button.

Our gas and electric division, Gazco along with our sister brand Onyx, design and build stoves that look and feel every bit as solid and authentic as our solid fuel stoves. This is because they are built with the same high quality materials and craftsmanship.

On the inside, cutting-edge technologies allow these advanced stoves to create captivating flame visuals, complemented by hand-painted fuel effects for breath-taking realism. And with various handset options, each model can be easily controlled from the comfort of the sofa.



Gas Vogue Midi T, Midline



Onyx Liv3 Gas Stove



Huntingdon 20 Electric with Tracery Door with Log & Pebble Fuel Effect



For more details ask your local retailer or visit www.gazco.com to view the complete range.

*Gazco Chesterfield 5 Gas with
Grey Pembroke Mantel*



Also available from the Stovax Heating Group

At Stovax Heating Group, we offer a comprehensive range of heating solutions, blending functionality with exquisite design. Beyond our renowned Stovax and Gazco collections, we are proud to distribute the Nordic elegance of Nordpeis and Varde in the UK and Republic of Ireland.

Nordpeis stoves epitomise Scandinavian sophistication with their clean lines and minimalist aesthetics, while Varde stoves offer timeless designs inspired by the simplicity and functionality of Nordic living. Both brands provide exceptional heat output, high efficiency, and versatile options to suit any space, making them the perfect addition to any home.

Discover the **complete range**...



Visit www.stovax.com/brochures to browse our complete range of brands and products



Varde Aura Woodburning Stove



Stovax Ltd Spitfire Avenue, Skypark,
Clyst Honiton, Exeter, EX5 2FR

Trade Sales: 01392 474000 • info@stovax.com



Find your retailer

You can find your nearest retailer by
visiting: stovax.com/retailers



Sign up to our
newsletter

Sign up to our newsletter to get the
latest news: stovax.com/signup



Stovax gratefully acknowledges the assistance of the following companies with photographic settings:

www.johnlewis.com; www.originalstyle.com; www.debenhams.co.uk; www.furniturevillage.com; www.habitat.co.uk; www.amtico.com;
www.sofarooms.co.uk; www.nkuku.com; www.tomraffield.com; www.industville.co.uk; www.graceandgloryhome.co.uk; www.loaf.com;
www.houseoffraser.co.uk; www.theorangetree.co.uk; www.mokodirect.com; www.amoslighting.co.uk; www.opiesuk.co.uk; www.oliverbonas.com;
www.desenio.com; www.chunkymonkeyfurniture.co.uk; www.wallsandfloors.com; www.3dwallpanels.co.uk; www.stoneandsurfaces.co.uk; www.wallsandfloors.co.uk

© All material copyright Stovax Ltd 2024 • E & O E • Paper sourced from sustainable forests and printed using vegetable-based inks

Your Stovax Retailer:

STOV1124

