



WOODBURNING STOVES 2024



*Scan the QR code
- see our catalog online and
protect the environment*



NIBE GROUP MEMBER



**DANISH
DESIGN**





WOOD-BURNING STOVES... COZINESS AND WARMTH FOR YOUR HOME

Who says a wood-burning stove can't be beautiful and functional?

When the TermaTech designers start designing a wood-burning stove, they always start from the fact that aesthetics, quality and functionality must combine perfectly. Your new wood-burning stove is something you won't be changing over the next few years.

At TermaTech we are focused on continuing the tradition of Nordic design, which means that form and function are integrated into a superior whole. All our wood-burning stoves are equipped with a combustion system, which facilitates control and ensures the best use of wood energy.

We hope you enjoy looking through our new wood-burning stove catalogue.





CONTENT















TT80.....	5
TT55.....	9
TT30.....	13
TT23.....	19
TT22.....	25
TT21.....	31
TT20.....	41
TERMATECH APP	47
CONVECTION HEAT.....	48
ENJOY A NATURAL HEAT BUILD-UP	49
ACCESSORIES.....	50
TECHNICAL SPECIFICATIONS	54
ECODESIGN 2022	65
GENERAL INFORMATION ABOUT THE TT MODELS	67





TT80 SERIES

The TT80 series is one of the latest wood-burning stove series created by TermaTech. The series of wood-burning stoves has a beautiful and robust design with many built-in functions, which complete the use of the wood-burning stove. In addition, the wood-burning stove is delivered as standard, with heat storage stones (20 kg) in the TT80 and TT80S, which gives them the ability to store heat and release it later for a longer period of time.

-  Note the height of the wood-burning stove (from 1005 mm to 1204 mm)
-  Choose between steel or soapstone sides and soapstone front as an accessory (valid for the TT80 + TT80S)
-  Large wood compartment with door. Wood-burning stove tool set for the wood compartment as an accessory
-  Sturdy and robust construction – note the weight of the wood-burning stove (from 126 kg to 210 kg)
-  Cast iron door
-  Cast iron top
-  Heat storage stones (20 kg) fitted as standard on the TT80 and TT80S
-  5 years of warranty
-  A large combustion chamber with contoured vermiculite – the width is 420 mm
-  Large curved glass
-  Cold handle with exchange and magnetic closing mechanism
-  Fitted with fresh air intake (Airbox system) Ø100 mm
-  Easy operation with built-in starter function – a simple air regulator manages the combustion
-  + Possibility to purchase a contoured floor plate

TT80 SERIES

TT80

● S01-680

Energy class	A*
Nominal power in kW	5,5
Operating area in kW	3-7
Efficiency %	81
Heating area m ²	30-120
Combustion chamber	W: 420 x D: 210 mm
Fresh air intake (Airbox system)	Ø100 mm
Weight in kg	184
Dimensions of the glass	H: 395 x W: 395 mm
Dimensions	H: 1204 x W: 560 x D: 372 mm



TT80

Front in soapstone
Item no. 08-616



TT80S

● S01-682

Energy class	A*
Nominal power in kW	5,5
Operating area in kW	3-7
Efficiency %	81
Heating area m ²	30-120
Combustion chamber	W: 420 x D: 210 mm
Fresh air intake (Airbox system)	Ø100 mm
Weight in kg	210
Dimensions of the glass	H: 395 x W: 395 mm
Dimensions	H: 1204 x W: 560 x D: 372 mm



TT80S



TT80RL

● S01-694

Energy class	A*
Nominal power in kW	5,5
Operating area in kW	3-7
Efficiency %	81
Heating area m ²	30-120
Combustion chamber	W: 420 x D: 210 mm
Fresh air intake (Airbox system)	Ø100 mm
Weight in kg	126
Dimensions of the glass	H: 395 x W: 395 mm
Dimensions	H: 1005 x W: 629 x D: 372 mm

TT80RLS

● S01-696

Energy class	A*
Nominal power in kW	5,5
Operating area in kW	3-7
Efficiency %	81
Heating area m ²	30-120
Combustion chamber	W: 420 x D: 210 mm
Fresh air intake (Airbox system)	Ø100 mm
Weight in kg	170
Dimensions of the glass	H: 395 x W: 395 mm
Dimensions	H: 1005 x W: 629 x D: 372 mm

COMPARTMENT
TO STORE VERY
LONG WOOD, UP
TO 42 CM WIDTH IN
THE COMBUSTION
CHAMBER



TT80RLS

ACCESSORIES FOR THE TT80 SERIES

08-616	Front in soapstone	30-916	Contoured glass floor plate
09-524	Wood-burning stove tool set for the wood compartment	32-916	Contoured steel floor plate
45-712	Combustion air set for wall w. damper	09-728	Black cast iron cover for grille
		09-656	Hot plate set

See other on page 50



TT55R

TODAY
I WILL
ENJOY
THE
BEAUTIFUL
THINGS
IN LIFE













TT55 SERIES

The TT55 Series is the brand new "big brother" in our range. With its 57 cm wide combustion chamber and an extra-wide view of the beautiful flames, this fantastic wood-burning stove will be a beautiful and cozy addition to your home.

Most parts of the stove are made of 100% cast iron, perfectly complementing the stove's rugged appearance. The magnetic closing system makes operating the stove easy and pleasant. The wood compartment door is prepared for the fireplace set, which you can purchase as an accessory.

If you choose to add Powerstone for heat storage, you will get even more enjoyment from your wood-burning stove, thanks to the extra-long release of heat.

-  Note the height of the wood-burning stove (from 1061 mm to 1339 mm)
-  Extra wide view of the flames
-  A large combustion chamber with contoured vermiculite – 50 cm firewood logs
-  Door, wood compartment door, and top plate in cast iron
-  Large wood compartment equipped with a standard wood compartment door and a fireplace tool set for the wood compartment door as an accessory
-  Cold handle with exchange and magnetic closing mechanism
-  Easy operation with built-in-starter function – a simple air regulator manages the combustion
-  5 years of warranty
-  Possibility to purchase a contoured floor plate
-  Option to purchase a 60 kg Powerstone

TT55 SERIES

TT55RHT

● S01-354

Energy class	A*
Nominal power in kW	7,5
Operating area in kW	5-10
Efficiency %	82
Heating area m ²	40-160
Combustion chamber	W: 570 x D: 300 mm
Fresh air intake (Airbox system)	Ø100 mm
Weight in kg	226 + 60 kg Powerstone
Dimensions of the glass	H: 395 x W: 535 mm
Dimensions	H: 1339 x W: 783 x D: 454 mm



TT55RHT



TT55R

TT55R

● S01-350

Energy class	A*
Nominal power in kW	7,5
Operating area in kW	5-10
Efficiency %	82
Heating area m ²	40-160
Combustion chamber	W: 570 x D: 300 mm
Fresh air intake (Airbox system)	Ø100 mm
Weight in kg	201
Dimensions of the glass	H: 395 x W: 535 mm
Dimensions	H: 1061 x W: 783 x D: 456 mm

ACCESSORIES FOR THE TT55 SERIES

30-910	Contoured glass floor plate	09-524	Wood-burning stove tool set for the wood compartment door
45-712	Combustion air set for wall w. damper	08-474	Powerstone 60 kg
09-728	Cast iron lid for grille		
09-656	Hot plate set		

See other on page 50



TT55RHT

















TT30S



TT30 SERIES

The TT30 series is for true fire enthusiasts. The doors, top and bottom of the combustion chamber are made of cast iron - an extremely strong material, which gives the wood-burning stove a solid appearance. The wood-burning stove is more tapered than our other models. This feature makes it light despite the choice of solid material. TT30G and TT30G Classic are fitted with side glass, which offers beautiful visibility of the flames in the combustion chamber.

-  Note the height of the wood-burning stove (from 1015 mm to 1057 mm)
-  Choose between steel sides and soapstone
-  Large wood store with compartment door.
Wood-burning stove tool set as an accessory (not valid for TT30G Classic)
-  Sturdy and strong construction – note the weight of the wood-burning stove (108 kg to 160 kg)
-  Cast iron door
-  Top in cast iron, steel or soapstone
-  Wood store door in cast iron (not valid for TT30G Classic)
-  5 years of warranty
-  Large combustion chamber with contoured vermiculite – the width is 320 mm
-  Large glass
-  Cold handle in stainless steel with magnetic closing mechanism
-  Standard assembly with fresh air intake (Airbox system) Ø80 mm (not valid for the TT30G Classic)
-  Easy operation – a simple air regulator manages the combustion
-  Possibility to buy contoured glass floor plate

TT30 SERIES

TT30

● S01-730

Energy class	A*
Nominal power in kW	5,0
Operating area in kW	3-7
Efficiency %	81
Heating area m ²	30-120
Combustion chamber	W: 320 x D: 236 mm
Fresh air intake (Airbox system)	Ø80 mm
Weight in kg	126
Dimensions of the glass	H: 420 x W: 300 mm
Dimensions	H: 1057 x W: 457 x D: 367 mm



TT30



TT30S

TT30S

● S01-734

Energy class	A*
Nominal power in kW	5,0
Operating area in kW	3-7
Efficiency %	81
Heating area m ²	30-120
Combustion chamber	W: 320 x D: 236 mm
Fresh air intake (Airbox system)	Ø80 mm
Weight in kg	160
Dimensions of the glass	H: 420 x W: 300 mm
Dimensions	H: 1057 x W: 457 x D: 367 mm



TT30

TT30G

● S01-732

Energy class	A*
Nominal power in kW	5,0
Operating area in kW	3-7
Efficiency %	81
Heating area m ²	30-120
Combustion chamber	W: 320 x D: 236 mm
Fresh air intake (Airbox system)	Ø80 mm
Weight in kg	123
Dimensions of the glass	H: 420 x W: 300 mm
Dimensions	H: 1057 x W: 457 x D: 367 mm



TT30G



TT30G CLASSIC

TT30G CLASSIC

● S01-740

Energy class	A ⁺
Nominal power in kW	5,0
Operating area in kW	3-7
Efficiency %	81
Heating area m ²	30-120
Combustion chamber	W: 320 x D: 236 mm
Fresh air intake (Airbox system)	Ø80 mm (Accessories)
Weight in kg	108
Dimensions of the glass	H: 420 x W: 300 mm
Dimensions	H: 1015 x W: 457 x D: 367 mm

ACCESSORIES FOR THE TT30 SERIES

30-908	Contoured glass floor plate	09-728	Cast iron lid for the grille
09-524	Wood-burning stove tool set for the wood compartment door	09-168	Fresh air intake (Airbox system) for the TT30G Classic
45-722	Combustion air set for wall	09-912	Rubber feet for the TT30G Classic
45-710	Combustion air set for wall w. damper	09-656	Hot plate set
45-720	Combustion air set for floor		

See other on page 51



TT30G Classic



TT23RG



TT23 SERIES

The TT23 series is TermaTech's newest series of wood-burning stoves with side glass. The series is simply a series of wood-burning stoves that fulfils all the possible wishes and requirements of the modern consumer. Easy handling and beautiful cast iron details incorporated into a clean and timeless Scandinavian design with a large curved front glass, as well as two large side glass panels. In other words, it means you can enjoy the fire from all angles.

- 📏 Note the height of the wood-burning stove (from 749 mm to 1083 mm)
- +
- 🏠 Possibility of wall-fitted wood-burning stove = TT23RGW
- 🏠 Choose between steel or soapstone sides including soapstone top
- 📦 Large wood store with compartment door.
Wood-burning stove tool set for the door as an accessory
- 📦 Sturdy and strong construction – note the weight of the wood-burning stove (from 116 kg to 174 kg)
- 🔧 Cast iron door
- 🔧 Top in cast iron or soapstone
- 🔧 5 years of warranty
- 🔧 A large combustion chamber with contoured vermiculite – the width is 340 mm
- 🔧 Large curved glass
- 🔧 Cold handle in stainless steel with magnetic closing mechanism – possibility to purchase a black handle
- 🔧 Possibility to purchase a fresh air intake (Airbox system) Ø80 mm
- 🔧 Easy operation – a simple air regulator manages the combustion
- +
- +

TT23 SERIES

TT23RG

● S01-560

Energy class	A*
Nominal power in kW	5,6
Operating area in kW	3-7
Efficiency %	81
Heating area m ²	30-120
Combustion chamber	W: 340 x D: 271 mm
Fresh air intake (Airbox system)	Ø80 mm (Accessories)
Weight in kg	127
Dimensions of the glass	H: 410 x W: 300 mm
Dimensions	H: 1073 x W: 521 x D: 412 mm



TT23RG



TT23RGS

TT23RGS

● S01-570

Energy class	A*
Nominal power in kW	5,6
Operating area in kW	3-7
Efficiency %	81
Heating area m ²	30-120
Combustion chamber	W: 340 x D: 271 mm
Fresh air intake (Airbox system)	Ø80 mm (Accessories)
Weight in kg	174
Dimensions of the glass	H: 410 x W: 300 mm
Dimensions	H: 1083 x W: 521 x D: 412 mm



TT23RGW

● S01-562

Energy class	A ⁺
Nominal power in kW	5,6
Operating area in kW	3-7
Efficiency %	81
Heating area m ²	30-120
Combustion chamber	W: 340 x D: 271 mm
Fresh air intake (Airbox system)	Ø80 mm (Accessories)
Weight in kg	116
Dimensions of the glass	H: 410 x W: 300 mm
Dimensions	H: 749 x W: 521 x D: 421 mm



TT23RGW

ACCESSORIES FOR THE TT23 SERIES

- 09-164 Ember/wood collector
- 30-911 Contoured glass floor plate
- 32-910 Contoured steel floor plate
- 09-162 Fresh air intake (Airbox system)
- 45-722 Combustion air set for wall
- 45-710 Combustion air set for wall w. damper
- 45-720 Combustion air set for floor
- 09-876 Black handle
- 09-524 Wood-burning stove tool set for the wood compartment door
- 09-728 Cast iron lid for grille
- 09-556 Cast iron heating plate
- 09-656 Hot plate set

See other on page 51



TT23RGW





TT22HST



TT22 SERIES

Anyone who loves heat will love our TT22 series. Timeless Danish design combined with high quality, elegant and eco-friendly combustion.

The TT22 series includes many different models based on the same amazing combustion chamber.

-  Note the height of the wood-burning stove (from 915 mm to 1162 mm)
-  Choose from steel sides, soapstone sides and black painted stone sides
-  Large wood compartment with compartment door (valid for TT22H, TT22HS, TT22HS Black)
-  Sturdy and strong construction – note the weight of the wood-burning stove (from 159 kg to 312 kg)
-  Door with internal cast iron frame
-  Cast iron or soapstone top (not valid for TT22)
-  5 years of warranty
-  A large combustion chamber with contoured vermiculite – the width is 570 mm
-  Large curved glass
-  Cold handle with double locking mechanism
-  Possibility to purchase fresh air intake (Airbox system) Ø100 mm
-  Easy operation – a simple air regulator manages the combustion
-  Possibility to purchase a contoured floor plate

TT22 SERIES

TT22

● S01-640

Energy class	A*
Nominal power in kW	7,5
Operating area in kW	5-10
Efficiency %	82
Heating area m ²	40-160
Combustion chamber	W: 570 x D: 300 mm
Fresh air intake (Airbox system)	Ø100 mm (Accessories)
Weight in kg	159
Dimensions of the glass	H: 415 x W: 485 mm
Dimensions	H: 915 x W: 708 x D: 482 mm



TT22



TT22RP

TT22RP

● S01-654

Energy class	A*
Nominal power in kW	7,5
Operating area in kW	5-10
Efficiency %	82
Heating area m ²	40-160
Combustion chamber	W: 570 x D: 300 mm
Fresh air intake (Airbox system)	Ø100 mm (Accessories)
Weight in kg	192
Dimensions of the glass	H: 415 x W: 485 mm
Dimensions	H: 1006 x W: 756 x D: 476 mm

ACCESSORIES FOR THE TT22 SERIES

30-910 Contoured glass floor plate
09-552 Fresh air intake (Airbox system)
45-712 Combustion air set for wall w. damper

09-656 Hot plate set
09-728 Cast iron lid for grille

See other on page 52



TT22R

TT22R

● S01-648

Energy class	A*
Nominal power in kW	7,5
Operating area in kW	5-10
Efficiency %	82
Heating area m ²	40-160
Combustion chamber	W: 570 x D: 300 mm
Fresh air intake (Airbox system)	Ø100 mm (Accessories)
Weight in kg	162
Dimensions of the glass	H: 415 x W: 485 mm
Dimensions	H: 958 x W: 756 x D: 476 mm

TT22H

● S01-644

Energy class	A*
Nominal power in kW	7,5
Operating area in kW	5-10
Efficiency %	82
Heating area m ²	40-160
Combustion chamber	W: 570 x D: 300 mm
Fresh air intake (Airbox system)	Ø100 mm (Accessories)
Weight in kg	175
Dimensions of the glass	H: 415 x W: 485 mm
Dimensions	H: 1083 x W: 756 x D: 476 mm



TT22H

TT22HS

● S01-646

TT22HS BLACK

●● S01-658

Energy class	A*
Nominal power in kW	7,5
Operating area in kW	5-10
Efficiency %	82
Heating area m ²	40-160
Combustion chamber	W: 570 x D: 300 mm
Fresh air intake (Airbox system)	Ø100 mm (Accessories)
Weight in kg	236
Dimensions of the glass	H: 415 x W: 485 mm
Dimensions	H: 1078 x W: 756 x D: 482 mm

TT22HS



TT22HS BLACK



TT22HST

TT22HST

● S01-650

Energy class	A*
Nominal power in kW	7,5
Operating area in kW	5-10
Efficiency %	82
Heating area m ²	40-160
Combustion chamber	W: 570 x D: 300 mm
Fresh air intake (Airbox system)	Ø100 mm (Accessories)
Weight in kg	312
Dimensions of the glass	H: 415 x W: 485 mm
Dimensions	H: 1162 x W: 756 x D: 482 mm

CONTOURED
GLASS PLATE



TT22HS-WH

PORTO
WHITE



TT22HS-WH

TT22HS-WH

● S01-662

Energy class	A*
Nominal power in kW	7,5
Operating area in kW	5-10
Efficiency %	82
Heating area m ²	40-160
Combustion chamber	W: 570 x D: 300 mm
Fresh air intake (Airbox system)	Ø100 mm
Weight in kg	218
Dimensions of the glass	H: 415 x W: 485 mm
Dimensions	H: 1078 x W: 756 x D: 482 mm

















TT21RH



TODAY
I WILL
ENJOY
THE
BEAUTIFUL
THINGS
IN LIFE

TT21 SERIES

The TT21 series is simply a series of wood-burning stoves that satisfy all the possible wishes and requirements that the modern consumer may have. Easy operation and beautiful cast iron details encapsulated in a clean and timeless Scandinavian design – all at a very reasonable price. You can choose from many models and many heights with the option to purchase the heat storage module, contoured floor plates, compartment door and built-in wood-burning stove tool set.

-  Note the height of the wood-burning stove (from 993 mm to 1512 mm)
-  Choose from steel sides, soapstone, black painted stone and sandstone
-  Large wood compartment with compartment door (valid for the TT21RH+TT21RHS). Wood-burning stove tool set for the wood compartment door as an accessory
-  Sturdy and strong construction – note the weight of the wood-burning stove (from 121 kg to 181 kg)
-  Possibility to purchase a compartment door (not valid for the TT21RL, TT21RH, TT21RHS). Wood-burning stove tool set for the wood compartment door as an accessory
-  Top in cast iron or soapstone
-  5 years of warranty
-  A large combustion chamber with contoured vermiculite – the width is 340 mm
-  Large curved glass
-  Cold handle in stainless steel with magnetic closing mechanism – possibility to purchase a black handle
-  Possibility to purchase a fresh air intake (Airbox system) Ø80 mm
-  Easy operation – a simple air regulator manages the combustion
-  + Possibility to purchase a contoured floor plate
-  + Possibility to purchase a heat storage module in soapstone and stone storage

TT21 SERIES

TT21RL

● S01-628

Energy class	A*
Nominal power in kW	5,0
Operating area in kW	3-7
Efficiency %	81
Heating area m ²	30-120
Combustion chamber	W: 340 x D: 271 mm
Fresh air intake (Airbox system)	Ø80 mm (Accessories)
Weight in kg	121
Dimensions of the glass	H: 410 x W: 300 mm
Dimensions	H: 993 x W: 519 x D: 412 mm



TT21RL



TT21RL



TT21R



TT21R

TT21R

● S01-630

Energy class	A*
Nominal power in kW	5,0
Operating area in kW	3-7
Efficiency %	81
Heating area m ²	30-120
Combustion chamber	W: 340 x D: 271mm
Fresh air intake (Airbox system)	Ø80 mm (Accessories)
Weight in kg	126
Dimensions of the glass	H: 410 x W: 300 mm
Dimensions	H: 1073 x W: 519 x D: 412 mm

ACCESSORIES FOR THE TT21 SERIES

09-164	Ember/wood collector	09-876	Black handle
30-911	Contoured glass floor plate	09-728	Cast iron lid for grille
32-910	Contoured steel floor plate	09-524	Wood-burning stove tool set for the wood compartment door
09-162	Fresh air intake (Airbox system)	09-874	Black compartment door
45-722	Combustion air set for wall	09-656	Hot plate set
45-710	Combustion air set for wall w. damper		
45-720	Combustion air set for floor		

See other on page 52



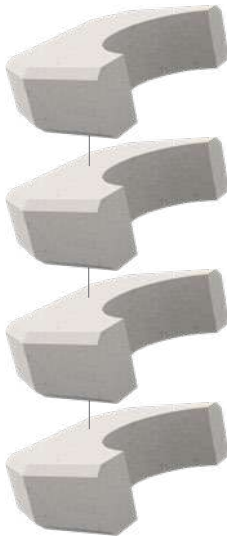
TT21RHT

● S01-596

Energy class	A*
Nominal power in kW	5,0
Operating area in kW	3-7
Efficiency %	81
Heating area m ²	30-120
Combustion chamber	W: 340 x D: 271 mm
Fresh air intake (Airbox system)	Ø80 mm
Weight in kg	145 + 48 kg Powerstone
Dimensions of the glass	H: 410 x W: 300 mm
Dimensions	H: 1512 x W: 519 x D: 412 mm

TT21RHT

POWERSTONE



TT21RHT



See more on page 49



TT21RHS-HST

● S01-240

Energy class	A*
Nominal power in kW	5,0
Operating area in kW	3-7
Efficiency %	81
Heating area m ²	30-120
Combustion chamber	W: 340 x D: 271 mm
Fresh air intake (Airbox system)	Ø80 mm (Accessories)
Weight in kg	272
Dimensions of the glass	H: 410 x W: 300 mm
Dimensions	H: 1412 x W: 531 x D: 419 mm

TT21RHS

● S01-638

Energy class	A*
Nominal power in kW	5,0
Operating area in kW	3-7
Efficiency %	81
Heating area m ²	30-120
Combustion chamber	W: 340 x D: 271 mm
Fresh air intake (Airbox system)	Ø80 mm (Accessories)
Weight in kg	181
Dimensions of the glass	H: 410 x W: 300 mm
Dimensions	H: 1172 x W: 531 x D: 419 mm



TT21RHS



TT21RH

TT21RH

● S01-636

Energy class	A*
Nominal power in kW	5,0
Operating area in kW	3-7
Efficiency %	81
Heating area m ²	30-120
Combustion chamber	W: 340 x D: 271 mm
Fresh air intake (Airbox system)	Ø80 mm (Accessories)
Weight in kg	128
Dimensions of the glass	H: 410 x W: 300 mm
Dimensions	H: 1170 x W: 519 x D: 412 mm



TT21RS-HST "CLASSIC" MARBLED SOAPSTONE

● S01-230

Energy class	A*
Nominal power in kW	5,0
Operating area in kW	3-7
Efficiency %	81
Heating area m ²	30-120
Combustion chamber	W: 340 x D: 271 mm
Fresh air intake (Airbox system)	Ø80 mm (Accessories)
Weight in kg	265
Dimensions of the glass	H: 410 x W: 300 mm
Dimensions	H: 1326 x W: 531 x D: 419 mm

TT21RS-HST "CLASSIC"
MARBLED SOAPSTONE

TT21RS-HST "MATTE LIGHT" SOAPSTONE

● SW01-220

Energy class	A*
Nominal power in kW	5,0
Operating area in kW	3-7
Efficiency %	81
Heating area m ²	30-120
Combustion chamber	W: 340 x D: 271 mm
Fresh air intake (Airbox system)	Ø80 mm (Accessories)
Weight in kg	265
Dimensions of the glass	H: 410 x W: 300 mm
Dimensions	H: 1326 x W: 531 x D: 419 mm





S01-232

TT21RS "Classic" marbled soapstone



TT21RS "CLASSIC" MARBLED SOAPSTONE

● S01-232

TT21RS "MATTE LIGHT" SOAPSTONE

● SW01-632

TT21RS BLACK

● S01-624

Energy class	A+
Nominal power in kW	5,0
Operating area in kW	3-7
Efficiency %	81
Heating area m ²	30-120
Combustion chamber	W: 340 x D: 271 mm
Fresh air intake (Airbox system)	Ø80 mm (Accessories)
Weight in kg	174
Dimensions of the glass	H: 410 x W: 300 mm
Dimensions	H: 1075 x W: 531 x D: 419 mm



TT21RS "MATTE LIGHT" SOAPSTONE

SW01-632



TT21RS BLACK

S01-624

TT21RS-WH

● S01-590

Energy class	A*
Nominal power in kW	5,0
Operating area in kW	3-7
Efficiency %	81
Heating area m ²	30-120
Combustion chamber	W: 340 x D: 271 mm
Fresh air intake (Airbox system)	Ø80 mm (Accessories)
Weight in kg	174
Dimensions of the glass	H: 410 x W: 300 mm
Dimensions	H: 1075 x W: 531 x D: 419 mm



TT21RS-WH



TT21RS-WH



TT21RS Grey



TT21RS GREY

TT21RS GREY

● S01-588

Energy class	A ⁺
Nominal power in kW	5,0
Operating area in kW	3-7
Efficiency %	81
Heating area m ²	30-120
Combustion chamber	W: 340 x D: 271 mm
Fresh air intake (Airbox system)	Ø80 mm
Weight in kg	174
Dimensions of the glass	H: 410 x W: 300 mm
Dimensions	H: 1075 x W: 470 x D: 419 mm
















TT20



TT20 SERIES

The TermaTech TT20 is a wood-burning stove series that combines optimum comfort, the highest product quality and clean Scandinavian design. And then there's the price. We have designed the TT20 to be a wood-burning stove for everyone, which means it is one of the best wood-burning stoves for the price on the market.

4 different models - all designed with care and produced with solid quality. Regardless of which of the TT20s you choose, you can rest assured that you have a solid construction and precise design.

-  Note the height of the wood-burning stove (from 954 mm to 1075 mm)
-  Choose between steel and soapstone sides
-  Large wood compartment with door and wood-burning stove tool set for the wood compartment door as an accessory (except the TT20Bazic + TT20BazicR)
-  Sturdy and strong construction – note the weight of the wood-burning stove (from 99 kg to 117 kg)
-  Steel door with internal cast iron frame
-  5 years of warranty
-  Large mounted wood compartment with compartment door and wood-burning stove tool set for the door as accessory (except for the TT20Bazic + TT20BazicR)
-  Large curved glass
-  Cold handle with double locking mechanism
-  Possibility to purchase a fresh air intake (Airbox system) Ø80 mm
-  Easy operation – a simple air regulator manages the combustion
-  Possibility to purchase a contoured floor plate
-  Possibility to purchase the soapstone heat storage module, stone for the wood compartment and stone base

TT20 SERIES

TT20

● S01-600

Energy class	A*
Nominal power in kW	5,0
Operating area in kW	3-7
Efficiency %	81
Heating area m ²	30-120
Combustion chamber	W: 340 x D: 271 mm
Fresh air intake (Airbox system)	Ø80 mm (Accessories)
Weight in kg	116
Dimensions of the glass	H: 410 x W: 300 mm
Dimensions	H: 1045 x W: 478 x D: 419 mm



TT20



TT20R

TT20R

● S01-602

Energy class	A*
Nominal power in kW	5,0
Operating area in kW	3-7
Efficiency %	81
Heating area m ²	30-120
Combustion chamber	W: 340 x D: 271 mm
Fresh air intake (Airbox system)	Ø80 mm (Accessories)
Weight in kg	117
Dimensions of the glass	H: 410 x W: 300 mm
Dimensions	H: 1045 x W: 478 x D: 419 mm



TT20Bazic R



TT20BAZIC R

TT20BAZIC R

● S01-608

Energy class	A*
Nominal power in kW	5,0
Operating area in kW	3-7
Efficiency %	81
Heating area m ²	30-120
Combustion chamber	W: 340 x D: 271 mm
Fresh air intake (Airbox system)	Ø80 mm (Accessories)
Weight in kg	99
Dimensions of the glass	H: 410 x W: 300 mm
Dimensions	H: 956 x W: 531 x D: 419 mm

ACCESSORIES FOR THE TT20 SERIES

09-164	Ember/wood collector	45-720	Combustion air set for floor
30-911	Contoured glass floor plate	09-522	Black wood compartment door
09-162	Fresh air intake (Airbox system)	09-524	Wood-burning stove tool set for the wood compartment door
45-722	Combustion air set for wall		
45-710	Combustion air set for wall w. damper		

See other on page 53



TT20BAZIC

TT20BAZIC

● S01-606

Energy class	A*
Nominal power in kW	5,0
Operating area in kW	3-7
Efficiency %	81
Heating area m ²	30-120
Combustion chamber	W: 340 x D: 271 mm
Fresh air intake (Airbox system)	Ø80 mm (Accessories)
Weight in kg	99
Dimensions of the glass	H: 410 x W: 300 mm
Dimensions	H: 954 x W: 478 x D: 419 mm



TT20Bazic

TT21RS-HST + TT21RHS-HST

INCLUDING HEAT STORAGE MODULE

We have developed a heat storage module in beautiful soapstone.*

By combining the stove with soapstone's unique ability to store heat, you can achieve the possibility of retaining warmth for up to 13 hours after the last firing.**

- Soapstone has the remarkable ability to capture heat energy and release it slowly.
- The module consists of a platform and 6 soapstone parts that can be easily installed on your new TT21RS-HST/TT21RHS-HST.
- When ordering a stove with a heat storage module, you will achieve 150-170 kg of pure heat storage, providing a substantial effect.

- On page 49, you can see the difference between a regular steel stove and a soapstone stove with a heat storage module.
- The steel stove heats up quickly, emits a lot of heat, and cools down shortly after use.
- Soapstone captures a lot of heat energy and releases it long after the fire has gone out.

* Please note that soapstone is 100% natural material, and each stone is unique. Therefore, there may be nuances and structural differences in the stones.

** Dimension results are based on tests conducted in a room of 70 m² with normal insulation.

HEAT STORAGE MODULE

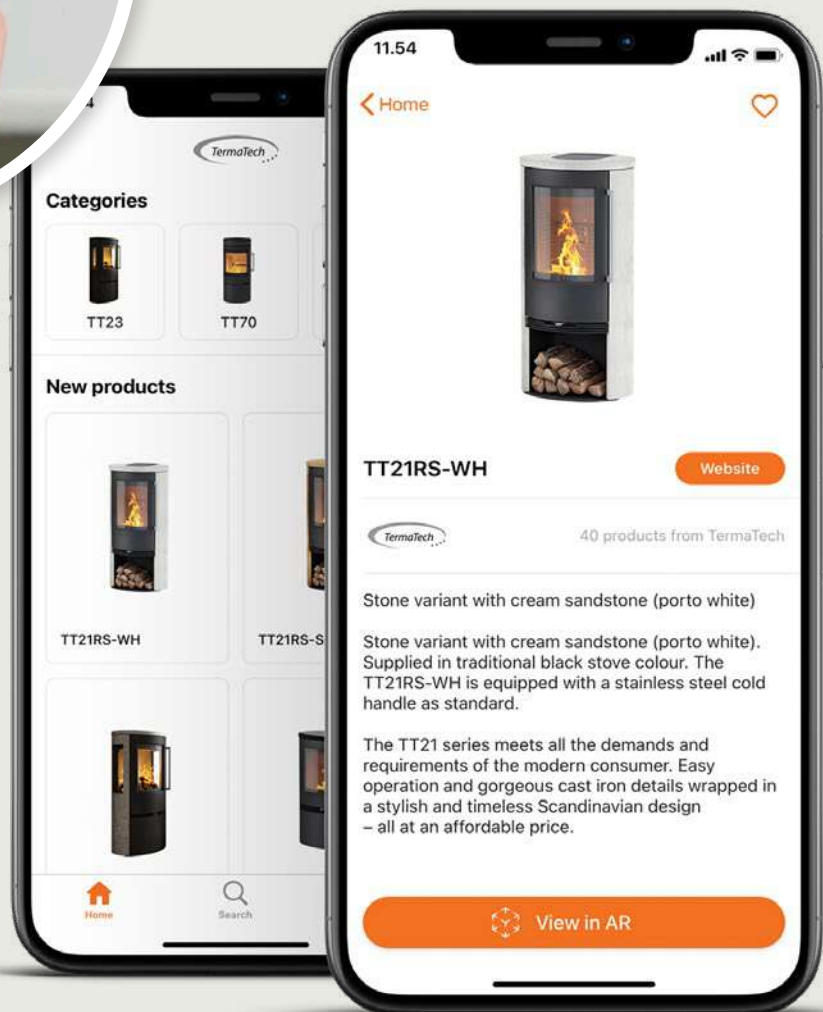
TT21RS-HST/TT21RHS-HST

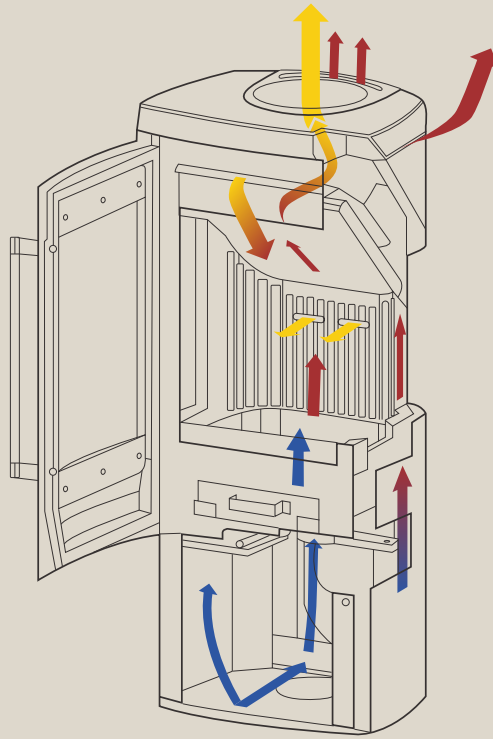




HAVE YOU HEARD OF OUR APP, TERMATECH AR?

See how the new TermaTech wood-burning stove looks in your home before buying it!





CONVECTION HEAT

Most of TermaTech's wood-burning stoves are convection stoves. This means that there is an inner shell and an outer shell. The air between the two shells quickly becomes heated, rises upward and is distributed faster throughout the entire room. The stove takes in cool air from the bottom, heats it up and then the air is distributed at the top of the stove.

The difference between a well-functioning convection stove and a radiant heater is that with a convection stove you achieve a better and more uniform heat distribution in the room.

The convection stove is also cooler on the outer surfaces.



ENJOY A NATURAL HEAT BUILD-UP

SOAPSTONE ●

Around 2.7 billion years ago, soapstone, which is a mineral stone mainly consisting of talc, was created in our subsoil. Talc absorbs and conducts heat in an exceptional manner, which makes soapstone the ideal material for wood-burning stoves.

Soapstone absorbs the heat from the wood-burning stove so that the heat is accumulated and then released for a long time after the last fire goes out. The heat from the wood-burning stove therefore lasts much longer. It is more uniform and looks more pleasant compared to conventional convection or radiation wood-burning stoves. It is the quantity of soapstone that determines how much heat can be stored. The more soapstone there is in the wood-burning stove cladding, the more heat it can store and release.

PORTO WHITE ●

Porto White is a sandstone that is quarried in Portugal. It is very popular because of its peculiarity, which consists of small dark stripes. It gives the stone a warm and modern look. No impregnation or colouring takes place in the production of this stone. It is 100% natural.

GREY ●

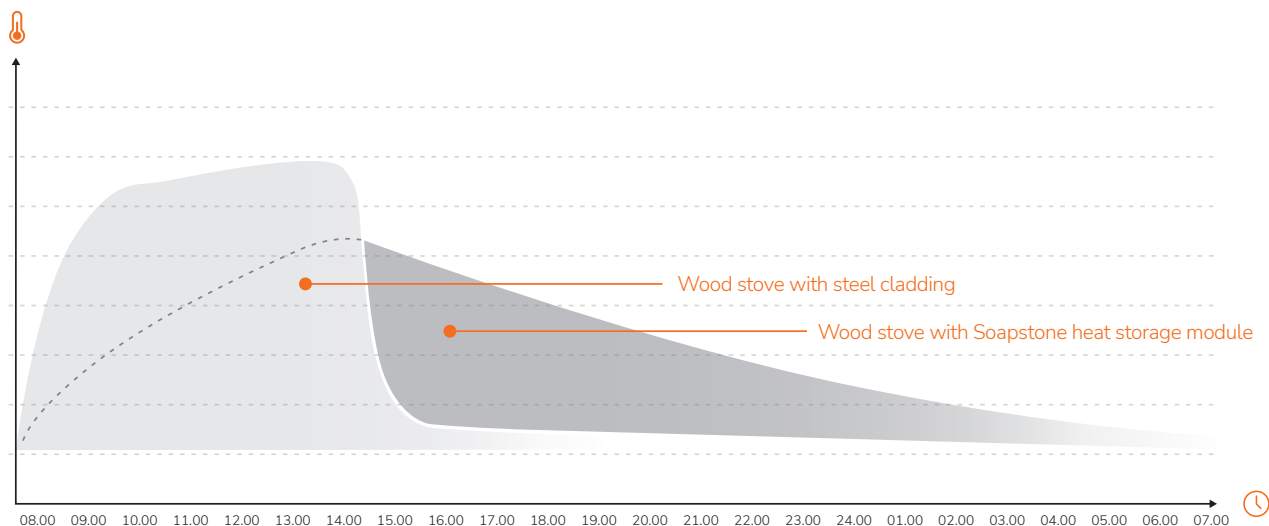
A GREY sandstone with a very high density resulting in prolonged heat retention within the stone. Often chosen as an alternative to soapstone. Thanks to its uniformity, gray shades, and structure, GREY is also the perfect choice for modern decor.

Common to all stone types is that they are all natural materials. Therefore, there is a natural variation in the structure and surface of the stones, which may result in deviations from the visual material shown in this catalog. Each stone and each stove has its own unique expression.

POWERSTONE

Formstøbte varmelagringssten af ildfast beton. Dens sammensætning af naturlige materialer og mulighed for at støbe elementerne så de passer

100% til ovnen, sikrer en ekstra lang varmelagring i brændeovnen.



ACCESSORIES

TT80

	Item no.	TT80	TT80S	TT80RL	TT80RLS				
Front in soapstone	08-616	•	•						
Wood-burning stove tool set for the wood compartment	09-524	•	•	•	•				
Combustion air set for wall w. damper	45-712	•	•	•	•				
Contoured glass floor plate	30-916	•	•	•	•				
Contoured steel floor plate	32-916	•	•	•	•				
Black cast iron cover for grille	09-728	•	•	•	•				
Hot plate set	09-656			•	•				

TT55

	Item no.	TT55RHT	TT55R						
Contoured glass floor plate	30-910	•	•						
Combustion air set for wall w. damper	45-712	•	•						
Cast iron lid for grille	09-728	•	•						
Hot plate set	09-656		•						
Wood-burning stove tool set for the wood compartment door	09-524	•	•						
Powerstone 60 kg	08-474	•							

TT30

	Item no.	TT30	TT30S	TT30G	TT30G CLASSIC				
Contoured glass floor plate	30-908	•	•	•	•				
Wood-burning stove tool set for the wood compartment door	09-524	•	•	•					
Combustion air set for wall	45-722	•	•	•	•				
Combustion air set for wall w. damper	45-710	•	•	•	•				
Combustion air set for floor	45-720	•	•	•	•				
Cast iron lid for the grille	09-728	•	•	•					
Hot plate set	09-656	•	•	•					
Fresh air intake (Airbox system)	09-168				•				
Rubber feet	09-912				•				

TT23

	Item no.	TT23RG	TT23RGS	TT23RGW					
Ember/wood collector	09-164	•	•	•					
Contoured glass floor plate	30-911	•	•						
Contoured steel floor plate	32-910	•	•						
Fresh air intake (Airbox system)	09-162	•	•	•					
Combustion air set for wall	45-722	•	•						
Combustion air set for wall w. damper	45-710	•	•						
Combustion air set for floor	45-720	•	•						
Black handle	09-876	•	•	•					
Wood-burning stove tool set for the wood compartment door	09-524	•	•						
Cast iron lid for grille	09-728	•	•	•					
Cast iron heating plate	09-556		•						
Hot plate set	09-656	•	•	•					

ACCESSORIES

TT22

	Item no.	TT22	TT22RP	TT22R	TT22H	TT22HS	TT22HST	TT22HS-WH	TT22HS Black
Contoured glass floor plate	30-910	•	•	•	•	•	•	•	•
Fresh air intake (Airbox system)	09-552	•		•	•	•	•	•	•
Combustion air set for wall w. damper	45-712	•	•	•	•	•	•	•	•
Cast iron lid for grille	09-728		•	•	•				
Hot plate set	09-656		•	•	•	•		•	•

TT21

	Item no.	TT21R	TT21RL	TT21RH	TT21RHT	TT21RS*	TT21RS-HST**	TT21RHS	TT21RHS-HST
Ember/wood collector	09-164	•	•	•	•	•	•	•	•
Contoured glass floor plate	30-911	•	•	•	•	•	•	•	•
Contoured steel floor plate	32-910	•	•	•	•	•	•	•	•
Fresh air intake (Airbox system)	09-170	•	•	•	•	•	•	•	•
Combustion air set for wall	45-722	•	•	•	•	•	•	•	•
Combustion air set for wall w. damper	45-710	•	•	•	•	•	•	•	•
Combustion air set for floor	45-720	•	•	•	•	•	•	•	•
Black handle	09-876	•	•	•	•	•	•	•	•
Cast iron lid for grille	09-728	•	•	•					
Hot plate set	09-656	•	•	•	•	•	•	•	•
Wood-burning stove tool set for the wood compartment door	09-524	•		•	•	•	•	•	•
Black compartment door	09-874	•				•	•		

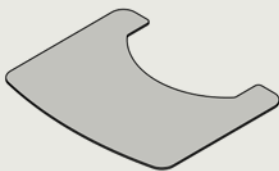
***TT21RS:** TT21RS-WH/TT21RS Grey/TT21RS Black/TT21RS "Matte light" soapstone/
TT21RS "Classic" marbled soapstone

****TT21RS-HST:** TT21RS-HST "Matte light" soapstone/TT21RS-HST "Classic" marbled soapstone

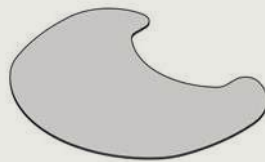
TT20

	Item no.	TT20	TT20R	TT20 Basic	TT20 Basic R				
Ember/wood collector	09-164	•	•	•	•				
Contoured glass floor plate	30-911	•	•		•				
Fresh air intake (Airbox system)	09-162	•	•	•	•				
Combustion air set for wall	45-722	•	•	•	•				
Combustion air set for wall w. damper	45-710	•	•	•	•				
Combustion air set for floor	45-720	•	•	•	•				
Wood-burning stove tool set for the wood compartment door	09-524	•	•						
Black wood compartment door	09-522	•	•						

CONTOURED GLASS SHELF



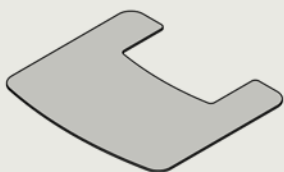
TT20, TT21, TT23
30-911



TT20, TT21, TT23
30-907



TT22, TT55
30-910



TT30
30-908

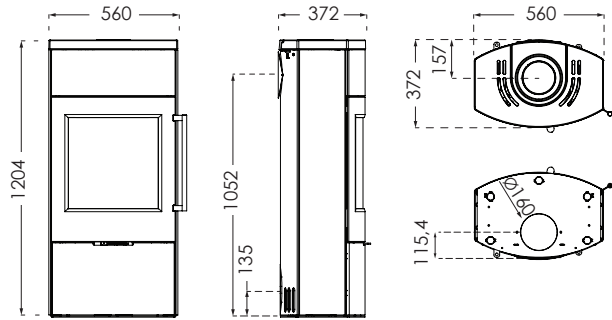


TT80
30-914

TT80 SERIES TECHNICAL SPECIFICATIONS

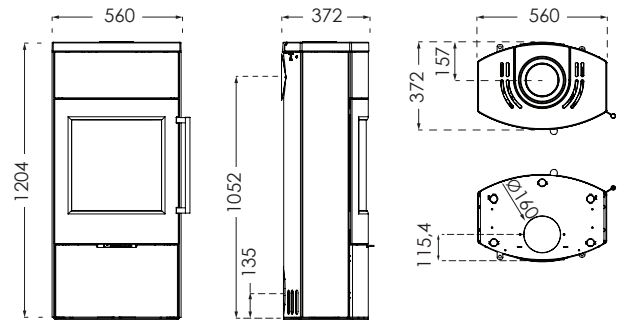
TT80

Combustion chamber W/D: 420/210 Weight in kg: 184



TT80S

Combustion chamber W/D: 420/210 Weight in kg: 210

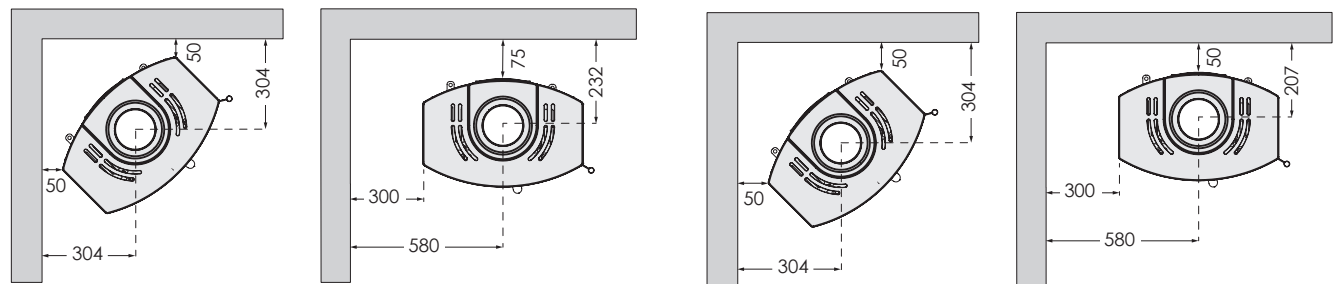


DISTANCE TO COMBUSTIBLE MATERIAL

TT80/TT80S

WITH UNINSULATED FLUE PIPE

WITH INSULATED FLUE PIPE

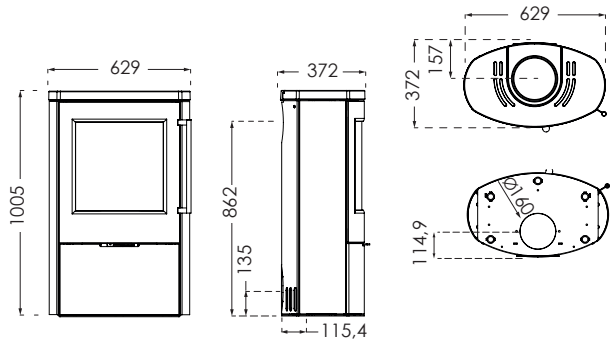


In order to avoid discolouration of painted and treated surfaces, TermaTech recommends the same distance from flammable materials as for non-flammable materials. This distance increases the convection itself around the stove and also eases cleaning. All distances relate solely to the distance of the stove from flammable materials. No account has been taken of national requirements for the use of stove flues or their distance from flammable materials.

TT80 SERIES TECHNICAL SPECIFICATIONS

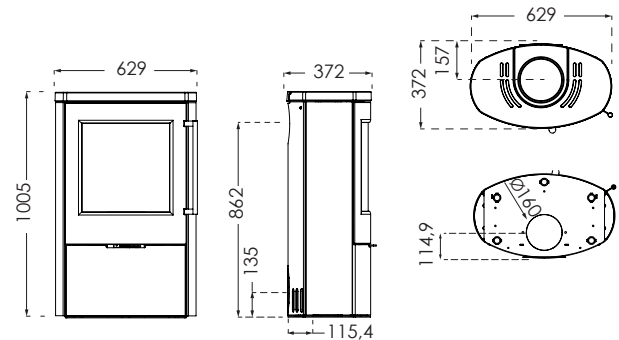
TT80RL

Combustion chamber W/D: 420/210 Weight in kg: 126



TT80RLS

Combustion chamber W/D: 420/210 Weight in kg: 170

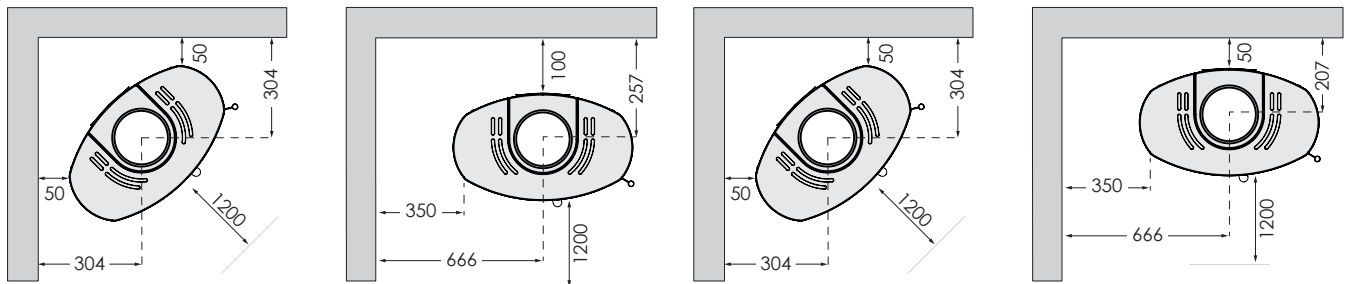


DISTANCE TO COMBUSTIBLE MATERIAL

TT80RL/TT80RLS

WITH UNINSULATED FLUE PIPE

WITH INSULATED FLUE PIPE

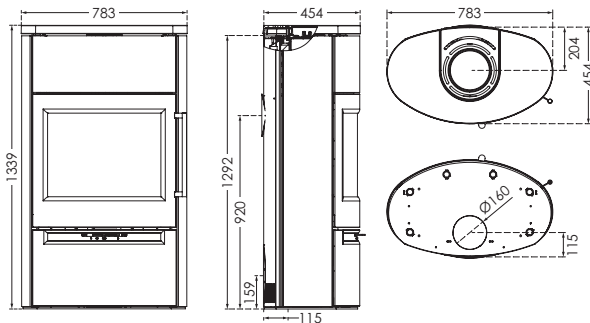


In order to avoid discolouration of painted and treated surfaces, TernaTech recommends the same distance from flammable materials as for non-flammable materials. This distance increases the convection itself around the stove and also eases cleaning. All distances relate solely to the distance of the stove from flammable materials. No account has been taken of national requirements for the use of stove flues or their distance from flammable materials.

TT55 SERIES TECHNICAL SPECIFICATIONS

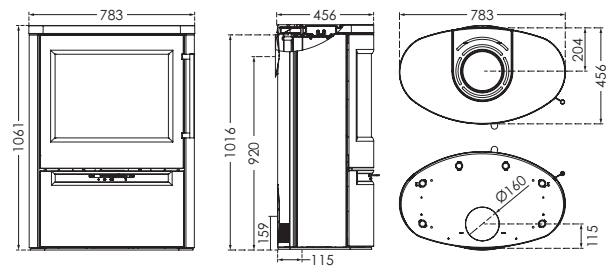
TT55RHT

Combustion chamber W/D: 570/300
Weight in kg: 226 + 60 kg Powerstone



TT55R

Combustion chamber W/D: 570/300 Weight in kg: 201

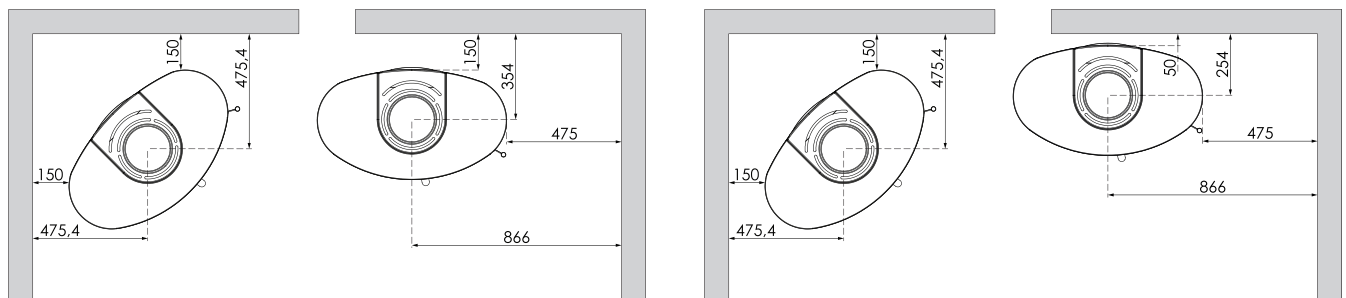


DISTANCE TO COMBUSTIBLE MATERIAL

TT55RHT/TT55R

WITH UNINSULATED FLUE PIPE

WITH INSULATED FLUE PIPE

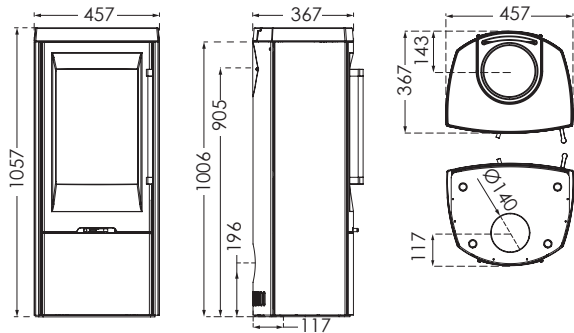


In order to avoid discolouration of painted and treated surfaces, TernaTech recommends the same distance from flammable materials as for non-flammable materials. This distance increases the convection itself around the stove and also eases cleaning. All distances relate solely to the distance of the stove from flammable materials. No account has been taken of national requirements for the use of stove flues or their distance from flammable materials.

TT30 SERIES TECHNICAL SPECIFICATIONS

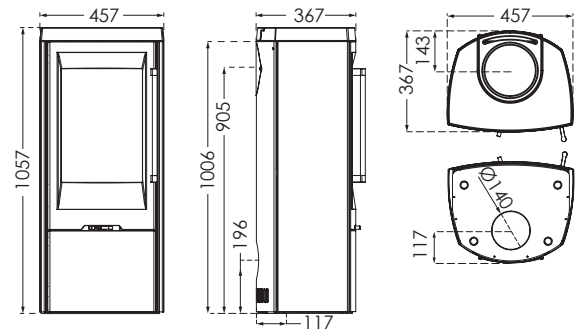
TT30

Combustion chamber W/D: 320/236 Weight in kg: 126



TT30S

Combustion chamber W/D: 320/236 Weight in kg: 160

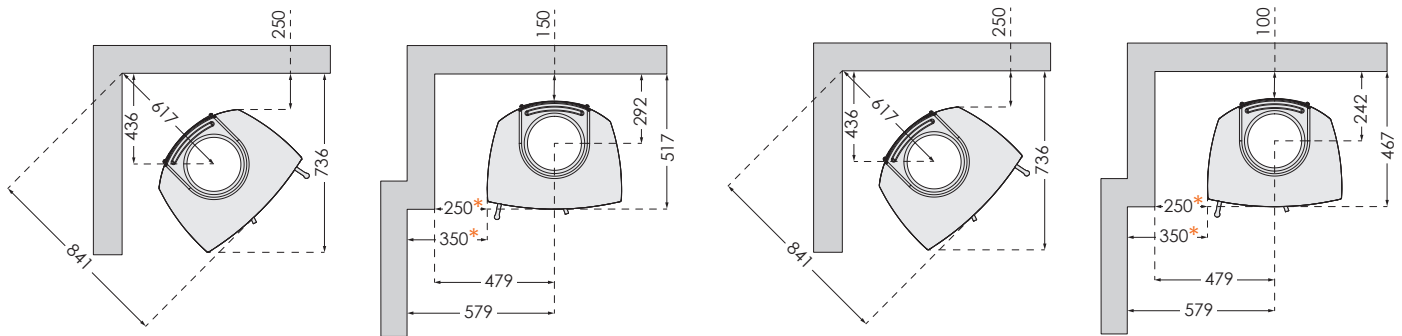


DISTANCE TO COMBUSTIBLE MATERIAL

TT30/TT30S

WITH UNINSULATED FLUE PIPE

WITH INSULATED FLUE PIPE



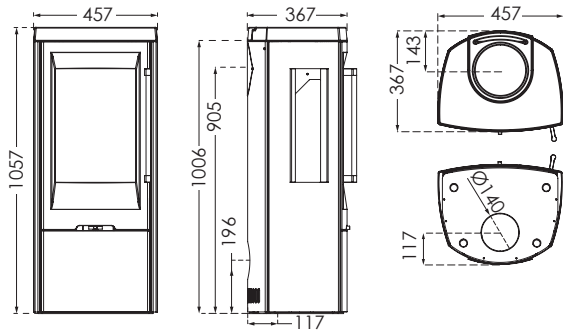
In order to avoid discolouration of painted and treated surfaces, TernaTech recommends the same distance from flammable materials as for non-flammable materials. This distance increases the convection itself around the stove and also eases cleaning. All distances relate solely to the distance of the stove from flammable materials. No account has been taken of national requirements for the use of stove flues or their distance from flammable materials.

*Distance to side wall min. 250mm up to the front of the stove, subsequently min. 350mm.

TT30 SERIES TECHNICAL SPECIFICATIONS

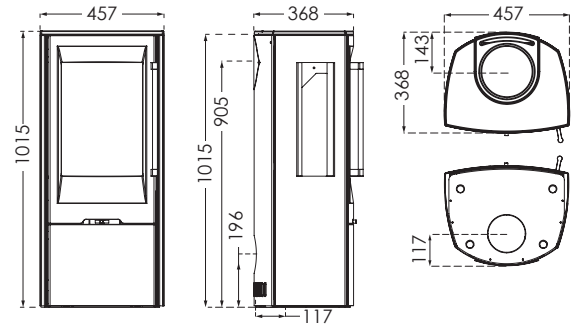
TT30G

Combustion chamber W/D: 320/236 Weight in kg: 123



TT30G CLASSIC

Combustion chamber W/D: 320/236 Weight in kg: 108

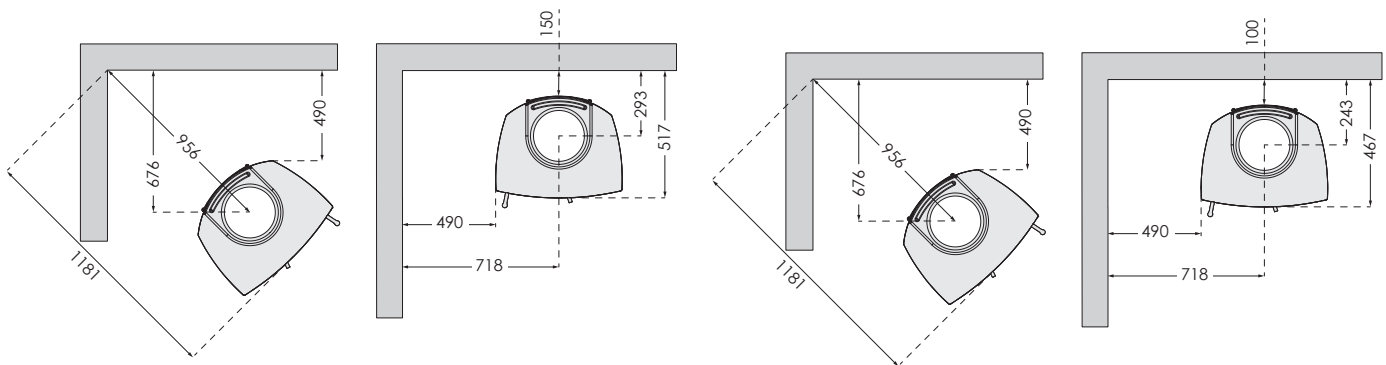


DISTANCE TO COMBUSTIBLE MATERIAL

TT30G/TT30G CLASSIC

WITH UNINSULATED FLUE PIPE

WITH INSULATED FLUE PIPE



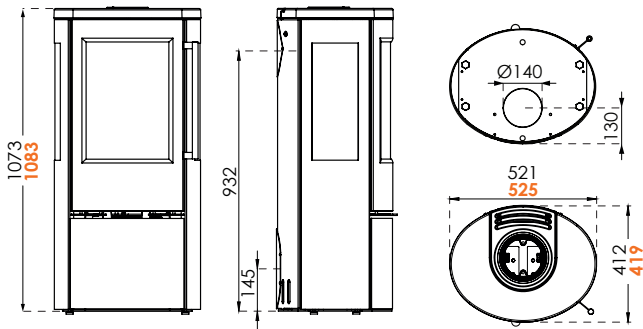
In order to avoid discolouration of painted and treated surfaces, TermaTech recommends the same distance from flammable materials as for non-flammable materials. This distance increases the convection itself around the stove and also eases cleaning. All distances relate solely to the distance of the stove from flammable materials. No account has been taken of national requirements for the use of stove flues or their distance from flammable materials.

TT23 SERIES TECHNICAL SPECIFICATIONS

TT23RG/TT23RGS

Combustion chamber W/D: 340/271 Weight in kg: 127/174

TT23RGS
TT23RG

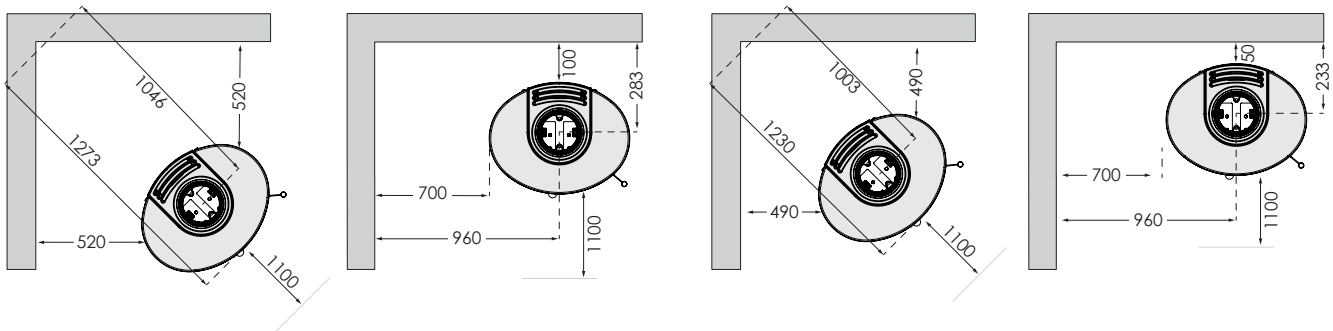


DISTANCE TO COMBUSTIBLE MATERIAL

TT23RGS

WITH UNINSULATED FLUE PIPE

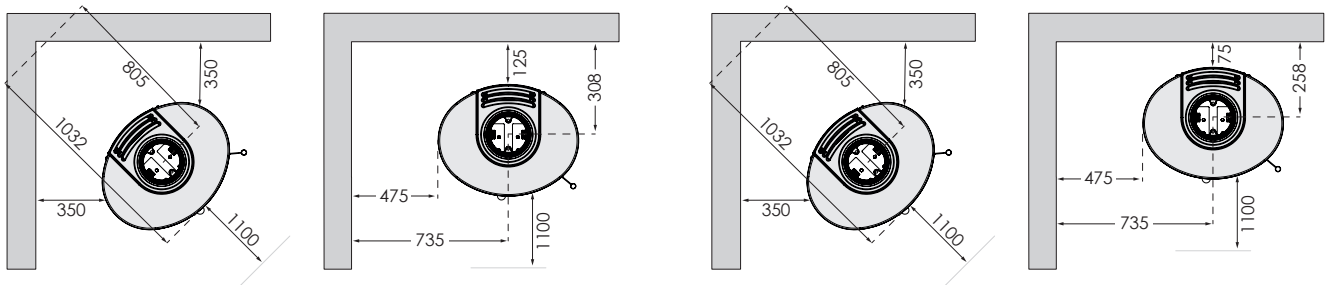
WITH INSULATED FLUE PIPE



TT23RG

WITH UNINSULATED FLUE PIPE

WITH INSULATED FLUE PIPE

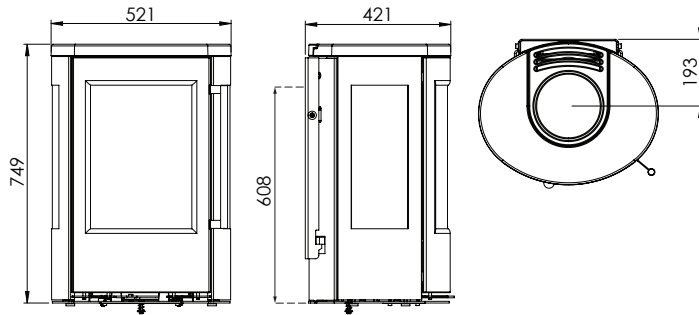


In order to avoid discolouration of painted and treated surfaces, TernaTech recommends the same distance from flammable materials as for non-flammable materials. This distance increases the convection itself around the stove and also eases cleaning. All distances relate solely to the distance of the stove from flammable materials. No account has been taken of national requirements for the use of stove flues or their distance from flammable materials.

TT23 SERIES TECHNICAL SPECIFICATIONS

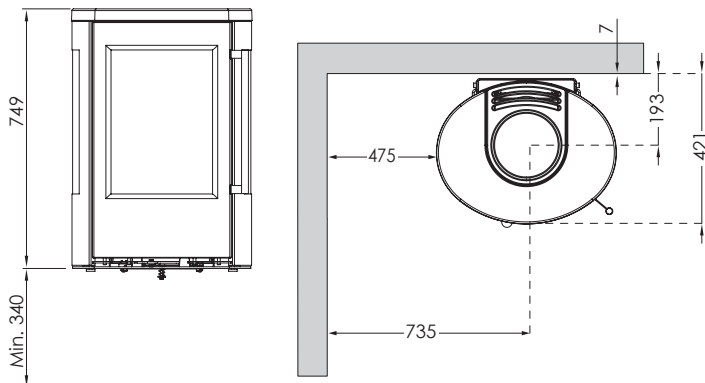
TT23RGW

Combustion chamber W/D: 340/271
Weight in kg: 116



DISTANCE TO COMBUSTIBLE MATERIAL

TT23RGW

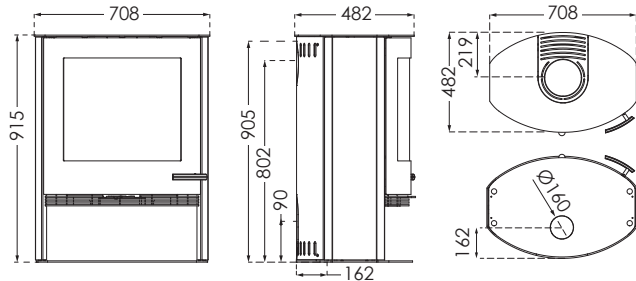


TT23RGW is designed for mounting on a non-flammable wall. If the floor covering is flammable, the stove must be mounted at least 340 mm above the floor. Talk to your dealer and/or chimney sweep about the best fireproof mounting solution.

TT22 SERIES TECHNICAL SPECIFICATIONS

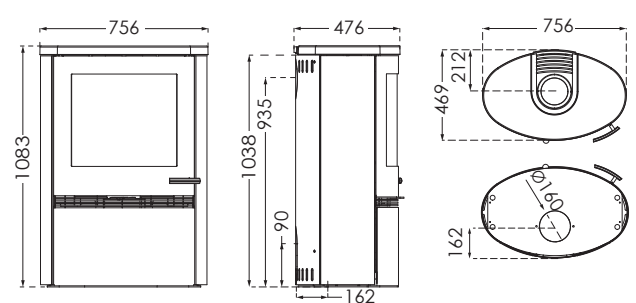
TT22

Combustion chamber W/D: 570/300
Weight in kg: 159



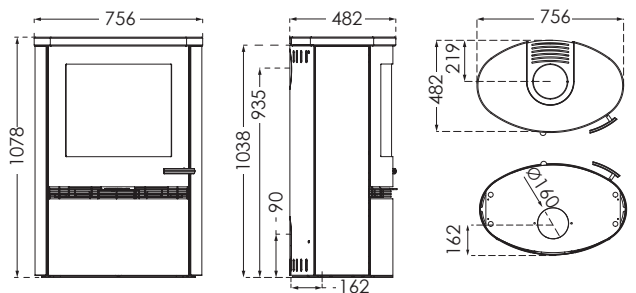
TT22H

Combustion chamber W/D: 570/300
Weight in kg: 175



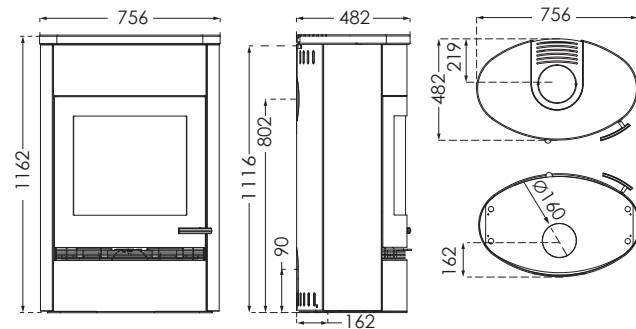
TT22HS*

Combustion chamber W/D: 570/300
Weight in kg: 218/236



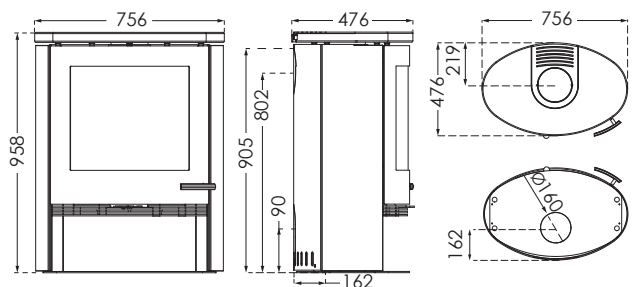
TT22HST

Combustion chamber W/D: 570/300
Weight in kg: 312



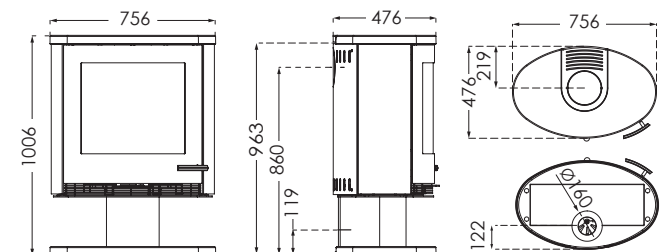
TT22R

Combustion chamber W/D: 570/300
Weight in kg: 162



TT22RP

Combustion chamber W/D: 570/300
Weight in kg: 192



*TT22HS: TT22HS-WH/TT22HS Black/TT22HS

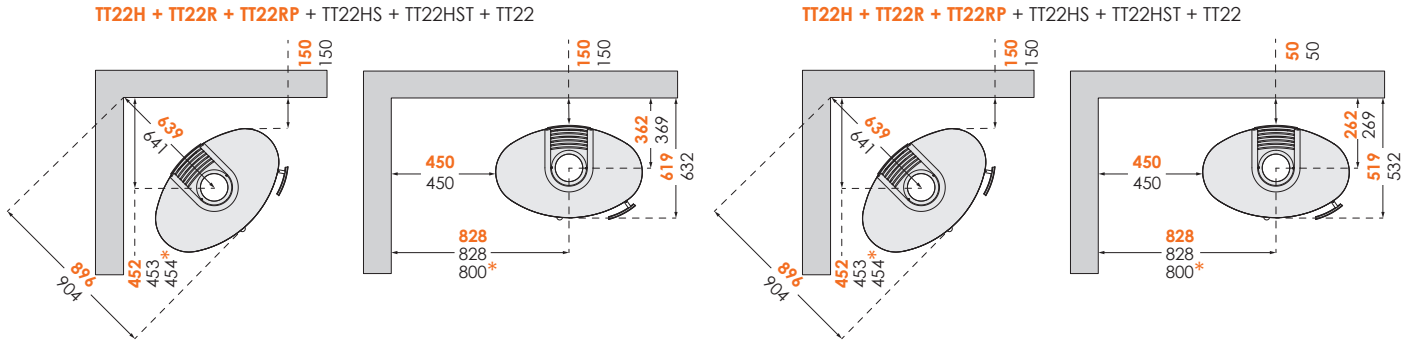
TT22 SERIES TECHNICAL SPECIFICATIONS

DISTANCE TO COMBUSTIBLE MATERIAL

TT22 SERIES

WITH UNINSULATED FLUE PIPE

WITH INSULATED FLUE PIPE

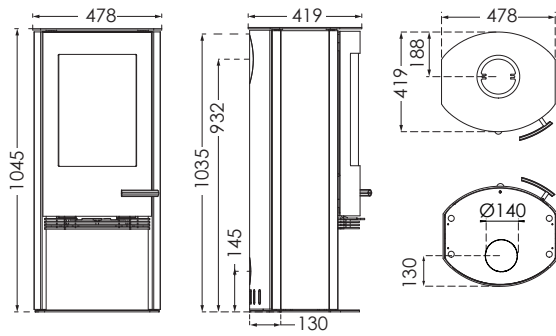


In order to avoid discolouration of painted and treated surfaces, TermaTech recommends the same distance from flammable materials as for non-flammable materials. This distance increases the convection itself around the stove and also eases cleaning. All distances relate solely to the distance of the stove from flammable materials. No account has been taken of national requirements for the use of stove flues or their distance from flammable materials.

TT20/TT21 SERIES TECHNICAL SPECIFICATIONS

TT20

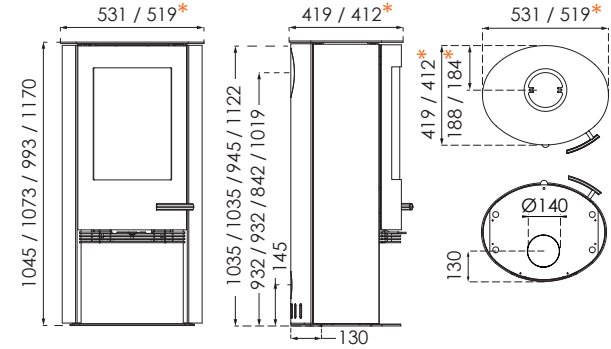
Combustion chamber W/D: 340/271
Weight in kg: 116



TT20R/TT21R/TT21RL/TT21RH

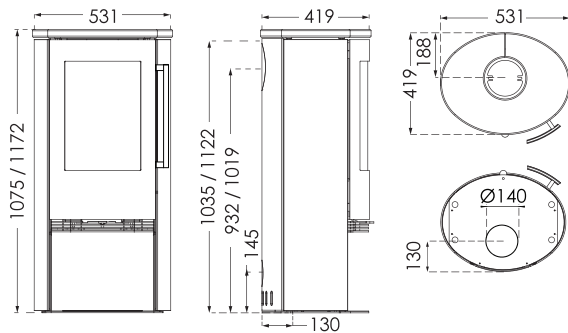
Combustion chamber W/D: 340/271
Weight in kg: 117/126/121/128

* Applies to models: TT21R/TT21RL/TT21RH



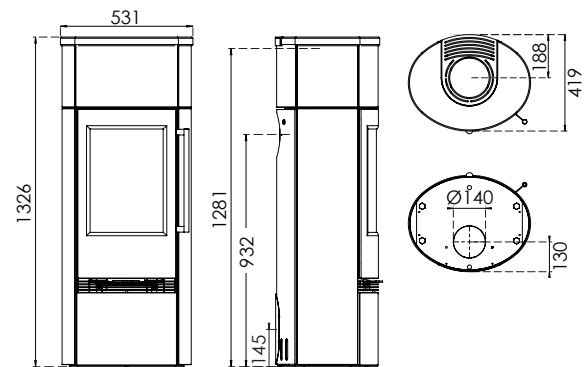
TT21RS**/TT21RHS

Combustion chamber W/D: 340/271
Weight in kg: 174/181



TT21RS-HST***

Combustion chamber W/D: 265
Weight in kg: 285/290



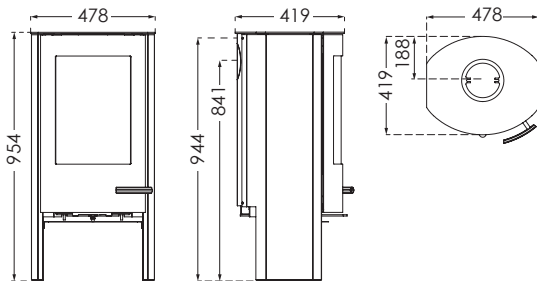
****TT21RS:** TT21RS-WH/TT21RS Grey/TT21RS Black/TT21RS "Matte light" soapstone/
TT21RS "Classic" marbled soapstone

*****TT21RS-HST:** TT21RS-HST "Matte light" soapstone/TT21RS-HST "Classic" marbled soapstone

TT20/TT21 SERIES TECHNICAL SPECIFICATIONS

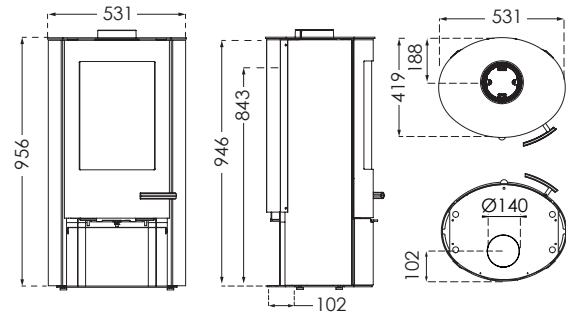
TT20BAZIC

Combustion chamber W/D: 340/271 Weight in kg: 99



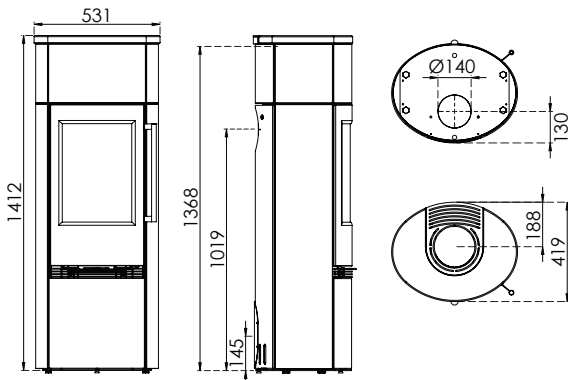
TT20BAZIC R

Combustion chamber W/D: 340/271 Weight in kg: 99



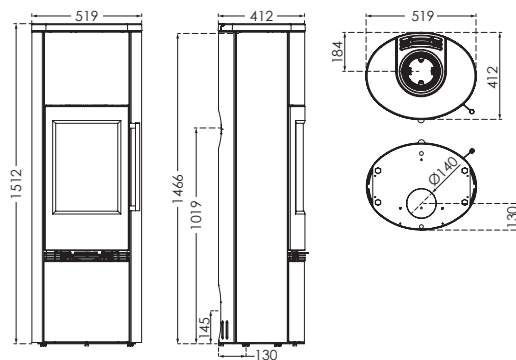
TT21RHS-HST

Combustion chamber W/D: 340/271 Weight in kg: 272



TT21RHT

Combustion chamber W/D: 340/271 Weight in kg: 145 + 48 kg Powerstone

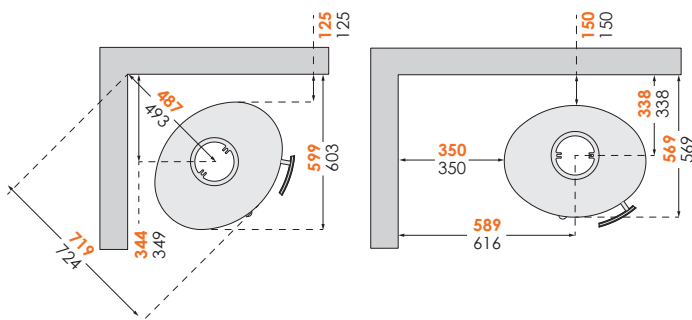


DISTANCE TO COMBUSTIBLE MATERIAL

TT20/TT21 SERIES

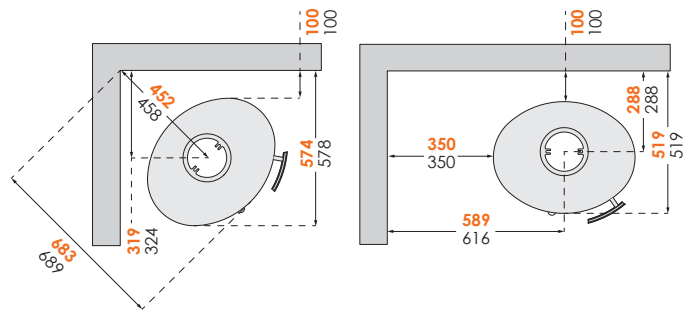
WITH UNINSULATED FLUE PIPE

TT20 + TT20BAZIC + TT20R + TT20BAZIC R + TT21R + TT21RS + TT21RL + TT21RH + TT21RHS + TT21RHT



WITH INSULATED FLUE PIPE

TT20 + TT20BAZIC + TT20R + TT20BAZIC R + TT21R + TT21RS + TT21RL + TT21RH + TT21RHS + TT21RHT



In order to avoid discolouration of painted and treated surfaces, TermaTech recommends the same distance from flammable materials as for non-flammable materials. This distance increases the convection itself around the stove and also eases cleaning. All distances relate solely to the distance of the stove from flammable materials. No account has been taken of national requirements for the use of stove flues or their distance from flammable materials.



ECODESIGN 2022

EU COMMISSION REGULATION (EU) 2015/1185

ECODESIGN 2022 is an established requirement regarding the efficiency and emissions of products intended to heat environments with solid fuels, including wood-burning stoves. It assures the consumer that the methods used in the tests can be repeated and reproduced in a possible market control.

All TermaTech wood-burning stoves in this catalogue obviously comply with the requirements of the ECODESIGN 2022.

To find out more about ECODESIGN 2022, see: op.europa.eu

We hope you enjoy choosing your new TermaTech wood-burning stove.



GENERAL INFORMATION ABOUT THE TT MODELS

MEMBER OF:

- 5 years warranty*
- Tested and approved by recognised European testing institutes
- Effective and high build quality
- Constructed with a view to easy and error-free operation
- Constructed so that there is a minimum of maintenance and the wearing parts are easy to replace
- Convection stoves, thus ensuring better heat distribution. Heats up between 30 and 160m²
- Equipped with an efficient airwash that keeps the glass clean
- Equipped with cast iron frames in the door and bottom of the combustion chamber
- Equipped with stainless steel door handles
- Available in the color black metallic
- Can be connected from the back or the top
- Can be purchased from your professional stove shop, which ensures you receive the correct advice, optimal guidance and proper installation



The qualities above assume that the user follows the firing guidelines and solely uses clean and dry firewood in the stove.

On TermaTech's website you can easily locate your closest dealer. Here you will find usage instructions, the statutory test certificate and all technical data on the stoves.

We wish you and your family many cosy and warm times in the company of your new TermaTech woodburning stove.

*Please read our conditions for "5 years warranty" in our user and mounting manual.

APPROVALS AND ENVIRONMENT

TermaTech's woodburning stoves are approved by and meet the most stringent requirements in Europe. They are approved by, among others, Rhein Ruhr Feuerstätten Prüfstelle and The Danish Technological Institute who have completed the CE-approval (EN13240), the Austrian standard "15A" and the German standard "DIN+".

The stoves are also tested and approved by SINTEF, which is a Norwegian testing institute and VKF, which is a Swiss institute. In England, all of the stoves are tested and approved by HETAS. TT20, TT21, TT22, TT30, TT55 and TT80 are also DEFRA exempt for smokeless zones, a distinction reserved for only the cleanest burning stoves on the market.

See the technical data for further details.



TEKNOLOGISK
INSTITUT





www.termatech.com