


Nordpeis
Woodburning Stoves and Fires



The Norwegian

Experience...

In a land famous for its long winter nights, icy winds and heavy snowfall, the fireside has always held a special place in both the hearts and homes of the people of Norway.

Nordpeis was established over 30 years ago and we have been proudly incorporating our heritage and time honoured traditions into our stoves and fires ever since. No longer just a source of essential warmth, today's modern appliances represent the most advanced developments in heating technology and the very finest standards of Norwegian contemporary design.

Designed for Our Environment

All Nordpeis stoves and fires are designed for burning wood, an environmentally friendly fuel. When burnt, approximately the same amount of carbon dioxide that has been absorbed by the tree during growth is released into the atmosphere, making it a carbon neutral heat source.

Wood is also a renewable resource, particularly when derived from plantations and cultivated woodland. For optimum results, we recommend logs should be seasoned for two years or more to achieve a moisture content below 20%. This will not only give twice the output of freshly felled timber but will also help to avoid a build-up of tar in your flue. If you can obtain hardwood logs this is better still, as they will have a greatly increased calorific value compared to softwoods.

Our focus on eco-friendly designs means that many Nordpeis products burn so cleanly they meet future Ecodesign air quality standards. Producing minimal levels of smoke emissions, these are some of the most eco-friendly stoves and fires available and display the SIA Ecodesign Ready label.

State of the Art Technology

All stoves and fires in this brochure feature Cleanburn technology to ensure they burn wood logs with outstanding efficiency*. This results in more heat delivery into the room and less going up the chimney. Cleanburn technology works by introducing pre-heated, secondary air into the firebox to burn the excess hydrocarbons in the smoke. Airwash airflow also helps keep the window clean, allowing you to enjoy the flames to the full. Some models also benefit from an optional External Air Combustion Facility, which minimises internal draughts by taking combustion air from outside of the home.

Urban Area Approved

Most town and city homes in the UK are located in Smoke Control Areas as designated by the Clean Air Act 1993. To burn logs on a stove in these locations, the model installed must have been granted exemption from these regulations by the Government through DEFRA. This exemption is given only to appliances that have been independently tested to demonstrate particularly clean burning combustion. Many stoves in this brochure are approved for use in Smoke Control Areas and this is shown on each relevant product page. Your Nordpeis retailer can give you further help and advice.

* All efficiencies quoted in this brochure are for seasoned wood with a moisture content less than 20%.





Complete Peace of Mind



Expert Retailer Network

We take great care to ensure that our stoves and fireplaces are designed, tested and manufactured to the highest possible quality and safety standards. We are just as concerned to make certain that they are sold and installed correctly so that you have years of enjoyment from your purchase.

Accordingly, you will find our products are only available from experienced, independent retailers who will be happy to show you a selection of models locally in their showrooms, often fully operational. These independent retailers will discuss your individual requirements both technical (such as sizing the heat output to your room and advising on your flue type) and design, and ensure that you select the most appropriate product for your home. They will also be able to advise on, or assist with, the installation process as well as help provide any after-sales support and servicing your appliance may require in the future.

Whilst we encourage our retailers to promote fireplace products and their outlets via the internet, we do not believe suitable levels of customer care and satisfaction

can be obtained from purchasing the product only online and we would strongly recommend that you consider this when undertaking your research and making a purchasing decision. Furthermore, please be aware that we do not offer technical support (beyond our statutory responsibilities) to products bought via nationwide online sales, where this support would normally be offered by one of our qualified, independent retailers.

In addition, Nordpeis stoves and fires purchased from within our Expert Retailer Network will have the additional benefit of a greatly extended warranty period, subject to terms and conditions. Full details can be found online at www.nordpeis.co.uk.



Find Your Retailer

Find your nearest retailer by visiting:
www.nordpeis.co.uk/retailers

The Nordpeis Range



06 - 27

CONTEMPORARY STOVES



28 - 33

TRADITIONAL STOVES



34 - 37

TRADITIONAL FIRES



38 - 41

CONTEMPORARY
FIRES & SURROUNDS



42 - 47

TECHNICAL INFORMATION



48 - 51

ACCESSORIES, FLUE PIPE
& FURTHER INFORMATION

5

Year
Extended
Warranty

Product Warranty

Your Nordpeis Expert Retailer can provide you with a Five Year Extended Warranty for your new woodburning stove or fire, see page 50 for further details. Full warranty terms and conditions are available at www.nordpeis.co.uk.



ME

Eye-catching and original, the groundbreaking ME is a bold deviation from traditional aesthetics. A circular front and cylindrical body create a stunningly unique stove, demonstrating cutting-edge Nordic design and engineering in equal measure.



Stoves above shown with side windows - all models are available with or without side windows.

See notes on British and Irish building regulations in the Important Safety and Technical Information section on page 51

Few stoves offer so many inspiring fitting options, and the wealth of choice is testament to the ME's versatile design. Choose from pedestal, steel logstore stand, benche, or wall-mounted options - with stylish clear glass stands also available. There is even the option of a ceiling hung version, for a statement stove installation. Each mounting option transforms the ME, letting you choose the perfect combination for your home.





The ME is offered in two versions, including a side-windowed model for panoramic flame visuals. Both feature Nordpeis' advanced combustion technology, which provides a high efficiency, 5.8kW heat output, with the option of an external air supply to minimise internal draughts.

Key Facts

- Nominal Heat Output: 5.8kW
- Heat Output Range: 3kW - 6kW
- Efficiency: 79%
- Energy Efficiency Class: **A**
- Dimensions: (w x h x d) 520 x 510 x 364mm
- Flue: 150mm (top or rear)
- Weight: 74kg
- Woodburner
- Side-windowed model available
- Range of mounting options
- Cleanburn & Airwash Systems
- Top and rear flue
- Optional External Air Facility



See notes on British and Irish building regulations in the Important Safety and Technical Information section on page 51





Nordpeis

Uno 1

The compact Uno features a modern Scandinavian look and a range of styling options to really allow you to personalise your stove!

Every model of Uno has an automatic lock system on the door for increased safety and comfort, whilst the three large glass windows ensure a great view of the flames from every angle.

The Uno 1 makes an impressive statement with its pedestal base giving an elevated view of the firebox, whilst maintaining the understated feel of the small, yet powerful stove.

Key Facts

- **Nominal Heat Output:** 4kW
- **Heat Output Range:** 3kW - 6kW
- **Efficiency:** 82%
- **Energy Efficiency Class:** **A+**
- **Dimensions:** (w x h x d)
436 x 1006 x 364mm
- **Flue:** 150mm (top or rear)
- **Weight:** 104kg
- **Maximum Log Length:** 300mm
- **Side Windows**
- **Pedestal base**
- **Airwash & Cleanburn Systems**
- **Optional External Air Kit**



See notes on British and Irish building regulations in the Important Safety and Technical Information section on page 51



Uno 2 & 4

Following on from the Uno 1, both the Uno 2 and 4 have the same firebox functionality, whilst integrating stylish log stores into the base of the stove.

The side opening to the Uno 2 ensures easy access to your log storage, whilst the Uno 4 features a closed log store area with front access for streamlined aesthetics.

Key Facts

- Nominal Heat Output: 4kW
- Heat Output Range: 3kW - 6kW
- Efficiency: 82%
- Energy Efficiency Class: **A+**
- Dimensions: (w x h x d)
Uno 2: 420 x 1012 x 348mm
Uno 4: 420 x 907 x 348mm
- Flue: 150mm (top or rear)
- Weight: Uno 2: 91.5kg / Uno 4: 87.5kg
- Maximum Log Length: 300mm
- Side Windows
- Uno 2 - Log Store Base with easy side access
- Uno 4 - Log Store Base with front access
- Airwash & Cleanburn Systems
- Optional External Air Kit



*Uno 2 - Log Store Base
with easy side access*



*Uno 4 - Log Store Base
with front access*



See notes on British and Irish building regulations in the Important Safety and Technical Information section on page 51



Nordpeis



Duo 1

With superb contemporary styling, the Duo 1 features a pedestal base and a large glass door and side windows that provide breathtaking flame views.

The Duo 1 features Nordpeis' latest Cleanburn technology to improve fuel efficiency, whilst a powerful Airwash system helps keep the large glass panels clean. Whether creating a feature corner or standing proudly in the centre of the room, the stylish Duo 1 has the versatility to match and reflect your own contemporary tastes.

Key Facts

- Nominal Heat Output: 5kW
- Heat Output Range: 3kW - 8kW
- Efficiency: 80%
- Energy Efficiency Class: **A+**
- Dimensions: 490 x 1260 x 385mm (w x h x d)
- Flue: 150mm (top or rear)
- Weight: 104kg
- Maximum Log Length: 300mm
- Side Windows
- Pedestal Base
- Airwash & Cleanburn Systems
- Optional External Air Kit



See notes on British and Irish building regulations in the Important Safety and Technical Information section on page 51





Duo 2

Retaining the same firebox characteristics, heat output and high efficiency as the other Duo stoves, the Duo 2 benefits from the further functionality of an integral log store.

Key Facts

- Nominal Heat Output: 5kW
- Heat Output Range: 3kW - 8kW
- Efficiency: 80%
- Energy Efficiency Class: **A+**
- Dimensions: 470 x 1260 x 365mm (w x h x d)
- Flue: 150mm (top or rear)
- Weight: 104kg
- Maximum Log Length: 300mm
- Integral Log Store with easy side access
- Side Windows
- Airwash & Cleanburn Systems
- Optional External Air Kit



See notes on British and Irish building regulations in the Important Safety and Technical Information section on page 51





Duo 4

With sleek and contemporary styling, the Duo 4 not only offers exceptional 180° views of the flames, but also features a fully enclosed 'hidden' log store underneath the firebox.

As with all Duo stoves, the Duo 4 benefits from Nordpeis' optional External Air Kit which can reduce draughts within your room.

Key Facts

- **Nominal Heat Output:** 5kW
- **Heat Output Range:** 3kW - 8kW
- **Efficiency:** 80%
- **Energy Efficiency Class:** **A+**
- **Dimensions:** 470 x 1260 x 365mm (w x h x d)
- **Flue:** 150mm (top or rear)
- **Weight:** 104kg
- **Maximum Log Length:** 300mm
- **Integral 'Hidden' Log Store**
- **Side Windows**
- **Airwash & Cleanburn Systems**
- **Optional External Air Kit**



See notes on British and Irish building regulations in the Important Safety and Technical Information section on page 51





Duo 5

The Duo 5 is equally as elegant a stove as the Duo 4, featuring the same 'hidden' log store, but with sleek black side panels giving focus to the large flame window.

Key Facts

- Nominal Heat Output: 5kW
- Heat Output Range: 3kW - 8kW
- Efficiency: 80%
- Energy Efficiency Class: **A+**
- Dimensions: 470 x 1260 x 365mm (w x h x d)
- Flue: 150mm (top or rear)
- Weight: 112kg
- Maximum Log Length: 300mm
- Black Side Panels
- Airwash & Cleanburn Systems
- Optional External Air Kit



See notes on British and Irish building regulations in the Important Safety and Technical Information section on page 51





Quadro 1 & 1T

With superb styling and an angular glass window dramatically wrapping around two sides of the stove, the Quadro 1 can be enjoyed from all aspects of the room. The Quadro 1T, which features an additional top section is offered to facilitate a feature corner installation.

For draught reduction, there is the Optional External Air Kit which enables the stove to draw its combustion air directly from outside the property into the stove rather than drawing air from within the room.

Key Facts

- **Nominal Heat Output:** 6.2kW
- **Heat Output Range:** 3kW - 8kW
- **High Efficiency:** 80%
- **Energy Efficiency Class:** **A+**
- **Dimensions:** (w x h x d)
Quadro 1: 545 x 1225 x 442mm
Quadro 1T: 545 x 1441 x 442mm
- **Weight:** 104kg
- **Flue:** 150mm (top or rear)
- **Available as 'Corner' Model**
- **Maximum Log Length:** 300mm
- **Airwash & Cleanburn Systems**
- **Optional External Air Kit**



See notes on British and Irish building regulations in the Important Safety and Technical Information section on page 51



Quadro 2 & 2T

Featuring the same firebox characteristics as the Quadro 1, including a single piece, two-sided glass window, the Quadro 2 features an elegant, continuous body. For a designer, Scandinavian aesthetic the Quadro 2 can also be selected as the Colorado Natural, with a striking unfinished concrete exterior surround for an industrial, minimalist vibe.

The taller Quadro 2T includes an additional top section for those who want to install their stove in the corner of the room.

Key Facts

- Nominal Heat Output: 6.2kW
- Heat Output Range: 3kW - 8kW
- High Efficiency: 80%
- Energy Efficiency Class: **A+**
- Dimensions: (w x h x d)
 Quadro 2: 545 x 1226 x 442mm
 Quadro 2T: 545 x 1442 x 442mm
 Quadro 2 Colorado: 543 x 1407 x 440mm
- Weight: 113kg
- Flue: 150mm (top or rear)
- Available as 'Corner' Model
- Maximum Log Length: 300mm
- Airwash & Cleanburn Systems
- Optional External Air Kit



Quadro 2T



See notes on British and Irish building regulations in the Important Safety and Technical Information section on page 51



Nordpeis



Quadro 3 & 3T

Effortlessly balancing form with function, the Quadro's winning combination of clean styling and high performance heating epitomises Scandinavian design. The Quadro 3 takes the range to new heights, featuring a taller base that adds presence and style in equal measure. This impressive stove can be selected as the 3T with taller top section for even greater height.

Key Facts

- Nominal Heat Output: 6.2kW
- Heat Output Range: 4kW - 8kW
- High Efficiency: 80%
- Energy Efficiency Class: **A+**
- Dimensions: (w x h x d)
Quadro 3: 544 x 1356 x 442mm
Quadro 3T: 544 x 1572 x 442mm
- Weight: 118kg
- Flue: 150mm (top or rear)
- Available as 'Corner' Model
- Maximum Log Length: 300mm
- Airwash & Cleanburn Systems
- Optional External Air Kit



Quadro 3T

See notes on British and Irish building regulations in the Important Safety and Technical Information section on page 51





Bergen

With high efficiency heat output and modern-traditional styling, the Bergen offers a fresh alternative for warming today's homes. Thanks to the powerful Cleanburn and Airwash systems an excellent view of the fire is presented through the impressive 16" door glass. Sturdily built from cast iron and heavy duty steel, the Bergen will provide many years of comfort and enjoyment.

For additional image see page 51.

Key Facts

- **Nominal Heat Output:** 5kW
- **Heat Output Range:** 3kW - 8kW
- **High Efficiency:** 84%
- **Energy Efficiency Class:** **A+**
- **Dimensions:** 545 x 650 x 396mm (w x h x d)
- **Weight:** 115kg
- **Flue:** 150mm (top or rear)
- **Maximum Log Length:** 400mm
- **Steel and cast iron construction**
- **Airwash & Cleanburn Systems**
- **Smoke Control Approved as standard**



See notes on British and Irish building regulations in the Important Safety and Technical Information section on page 51





Glasgow

The Glasgow's elegant and versatile styling ensures it fits into a variety of interiors, ranging from the contemporary to the classical. This eye-catching stove features a large viewing window for its size, which remains clean thanks to the powerful Airwash system. Producing an ample 5kW heat output at an exceptional 84% efficiency, The Glasgow is suitable for a broad range of homes and can be installed with an external air supply for draft free provision of air.

Key Facts

- **Nominal Heat Output:** 5kW
- **Heat Output Range:** 3kW - 8kW
- **High Efficiency:** 84%
- **Energy Efficiency Class:** **A+**
- **Dimensions:** 545 x 735 x 396mm (w x h x d)
- **Weight:** 110kg
- **Flue:** 150mm (top or rear)
- **Maximum Log Length:** 400mm
- **Steel and cast iron construction**
- **Airwash & Cleanburn Systems**
- **Smoke Control Approved as standard**
(When fitted with a smoke control kit.)



See notes on British and Irish building regulations in the Important Safety and Technical Information section on page 51





Orion

Featuring long elegant legs, subtly cast designs on its sides and a small brass handle, the Orion is uniquely different.

The compact proportions of the Orion make it perfect for smaller living spaces such as a conservatory, hallway or outdoor snug.

The Orion's long fire box allows logs to be loaded length ways, burning from front to back as air is drawn in to the stove.

The useful hot plate can be used for boiling a kettle or cooking a stew - the perfect way to make the most of your stove and bring some traditional charm into your home.

Key Facts

- **Heat Output Range:** 2kW - 7kW
- **High Efficiency:** 73%
- **Energy Efficiency Class:** **A+**
- **Dimensions:** 325 x 625 x 510mm (w x h x d)
- **Weight:** 72kg
- **Maximum Log Length:** 300mm
- **Flue:** 150mm (top, side or rear)
- **Maximum Log Length:** 300mm
- **Cleanburn System**
- **Integral hotplate on stove top**



See notes on British and Irish building regulations in the Important Safety and Technical Information section on page 51





NI-22

Crafted from cast iron the Nordpeis NI-22 is a high efficiency fireplace that can either be used as a traditional open fire, or for greater efficiency and heat output, you can close the elegant bi-folding doors.

There is an optional canopy and plinth for a traditional inglenook installation - please see page 45. Alternatively, you can mount the fireplace into the wall or on the hearth.

Key Facts

- Nominal Heat Output: 6kW*
- Heat Output Range: 3kW - 10kW
- High Efficiency: 78.2%*
- Energy Efficiency Class: **A**
- Dimensions: 562 x 1063 x 427mm (w x h x d)
- Flue: 150mm (top)
- Weight: 108kg
- Maximum Log Length: 350mm
- Optional Plinth and Canopy
- Suitable for use in inglenooks, or as a built in fireplace.
- Cleanburn System



**When burning with the doors closed.*





NI-25

Like the NI-22, the larger NI-25 can either be built into a fireplace or combined with an optional canopy to create a stunning centrepiece for large fireplace openings and inglenooks. For more information on the optional canopy, please see page 45.

Key Facts

- Nominal Heat Output: 6.2kW*
- Heat Output Range: 3kW - 14kW
- High Efficiency: 78.5%*
- Energy Efficiency Class: **A**
- Dimensions: 650 x 1178 x 526mm (w x h x d)
- Flue: 175mm (top)
- Weight: 147kg
- Maximum Log Length: 450mm
- Optional Plinth and Canopy
- Suitable for use in inglenooks, or as a built in fireplace.
- Cleanburn System



**When burning with the doors closed.*



S-31A

Shown with Odense Surround

The high efficiency S-31A can either be built into a new wall corner installation or combined with the contemporary Odense surround. The Odense offers easy installation in the home; whether in a corner, against a straight wall or freestanding in the middle of a room.

The S-31A has a continuous double sided window that allows for an excellent view of the flames from all directions. Furthermore, the integral log store offers convenient reloading of the fire.

For additional images see pages 3 & 50.





The Odense is supplied in unfinished concrete which can be painted with breathable masonry based paint to suit your decor. Images show the Odense painted white*.

See notes on British and Irish building regulations in the Important Safety and Technical Information section on page 51

Key Facts

- Fire: S-31A
- Nominal Heat Output: 6kW
- Heat Output Range: 2kW - 10kW
- High Efficiency: 80%
- Energy Efficiency Class: **A+**
- Flue: 150mm (top or rear)
- Airwash & Cleanburn Systems
- Odense Dimensions: (w x h x d)
500 x 1780 x 500mm
- Odense Weight: 253kg
- Maximum Log Length: 300mm
- Integral Log Store
- Corner, Straight wall or freestanding installation possible
- Optional Black or Clear Glass Floor Plate
- Optional External Air Kit
- Odense can be painted* to suit your decor

* With breathable masonry paint, please refer to your installation instructions.



Odense painted grey*





Q-23 & Q-34

Shown with Panama Surround

For an advanced take on the cassette fire, the stunning Q-23 and Q-34 fires feature a gliding guillotine style door and a generous 6kW heat output. Each fire burns at a high efficiency of 78%, easily providing a glowing warmth to a variety of spaces.

The Q-23 and Q-34 can be installed independently of the surround options however please take special consideration of the installation instructions before undertaking.

Beyond the Q-23, the Q-34 takes its innovative styling to a further level, with a left or right hand aspect view of the flames.

Adaptable and attractive, the Panama surround gives the perfect finish, designed to accentuate both fires and highlight the Q-34 dual aspect. This superb modular system can be tailored to your home, with optional extras such as wood shelves and benches adding a new dimension to your living space.

Key Facts

- Fire: Q-23 & Q-34L/R (corner)
- Guillotine style opening
- Nominal Heat Output: 6kW
- Heat Output Range: 4kW - 9kW
- High Efficiency: up to 80% (Q-23) & 78% (Q-34)
- Energy Efficiency Class: **A+**
- Flue: 150mm (top or rear)
- Airwash & Advanced Cleanburn Systems
- Maximum Log Length: 500mm
- Panama Weight: 313 - 451kg
- Optional External Air Kit
- Optional log stores & side benches
- Panama can be painted* to suit your decor

* With breathable masonry paint, please refer to your installation instructions.



For more Panama configuration options, please see pages 46 & 47.

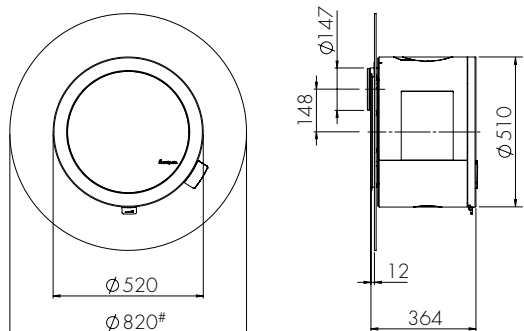
The Panama is supplied in unfinished concrete which can be painted with breathable masonry paint to suit your decor. Images show the Panama painted white.



Technical Information

ME - Wall

P 6 - 9



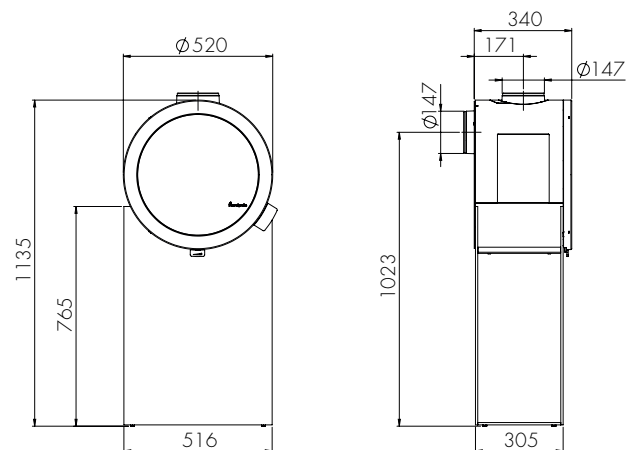
#ME - Wall Firewall back panel

Minimum distance to combustibles:*

0mm (rear - only when installed with Firewall back panel),
700mm (side) & 700mm (above)

ME - Basic / ME - Steel

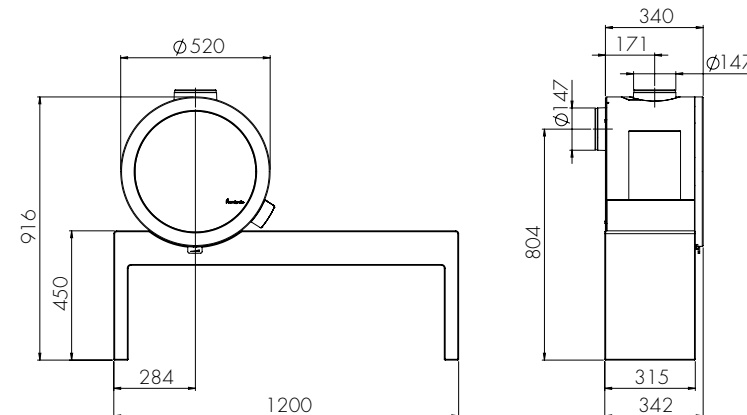
P 6 - 9



Minimum distance to combustibles:* 100mm (rear), 700mm (side) & 700mm (above)

ME - Bench

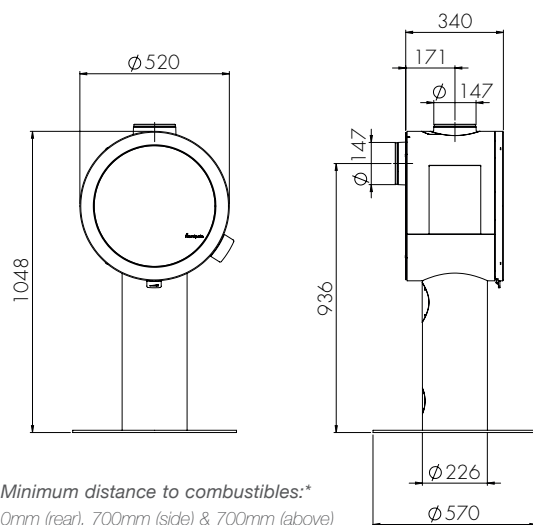
P 6 - 9



Minimum distance to combustibles:* 100mm (rear), 700mm (side) & 700mm (above)

ME - Pedestal

P 6 - 9

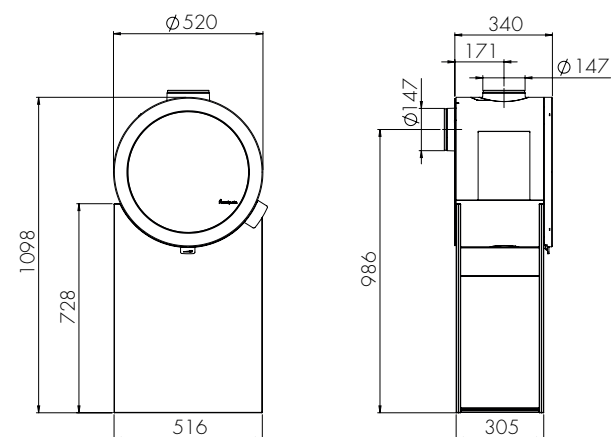


Minimum distance to combustibles:*

0mm (rear), 700mm (side) & 700mm (above)

ME - Glass

P 6 - 9

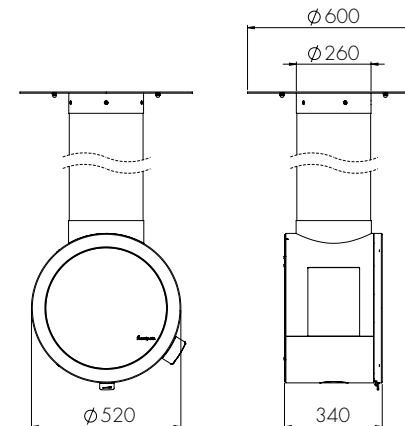


Minimum distance to combustibles:*

100mm (rear), 700mm (side) & 700mm (above)

ME - Ceiling

P 6 - 9



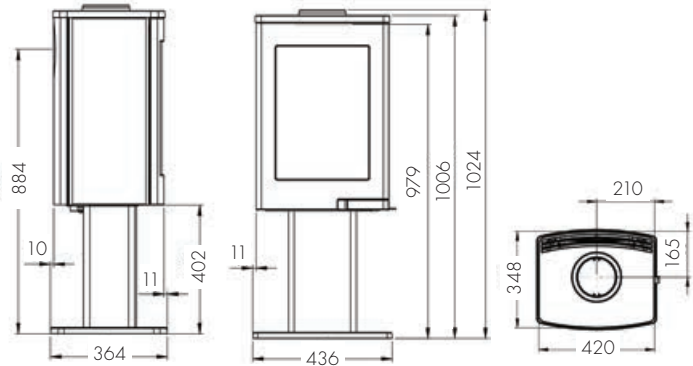
Minimum distance to combustibles:*

100mm (rear), 700mm (side) & 700mm (above)

*A HETAS approved installer should undertake a site survey prior to purchase and must install your stove or fire for you. You may also view or download complete installation instructions from our website - www.nordpeis.co.uk. The diagrams on these pages cover some of the basic requirements and are for initial information purposes only, please see installation instructions for further information.

Uno 1

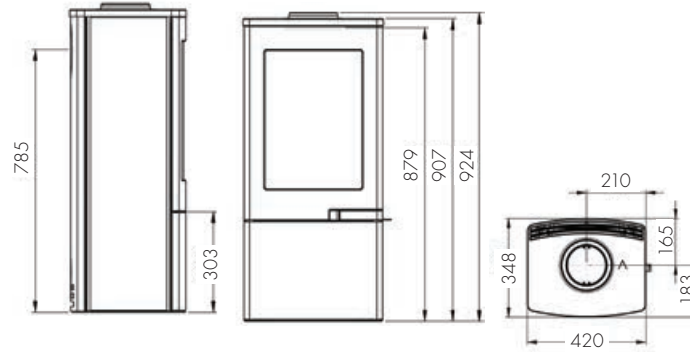
P 10 - 11



*Minimum distance to combustibles:**
150mm (rear), 500mm (side) & 600mm (above)

Uno 4

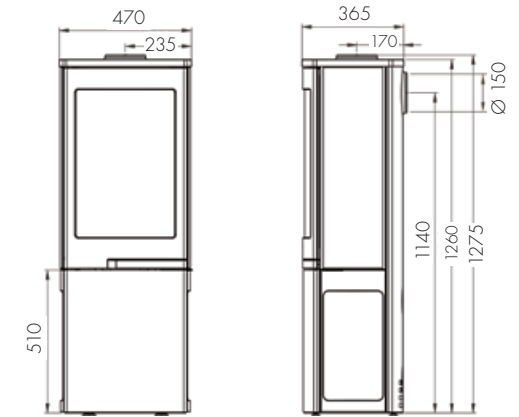
P 12 - 13



*Minimum distance to combustibles:**
150mm (rear), 500mm (side) & 600mm (above)

Duo 2

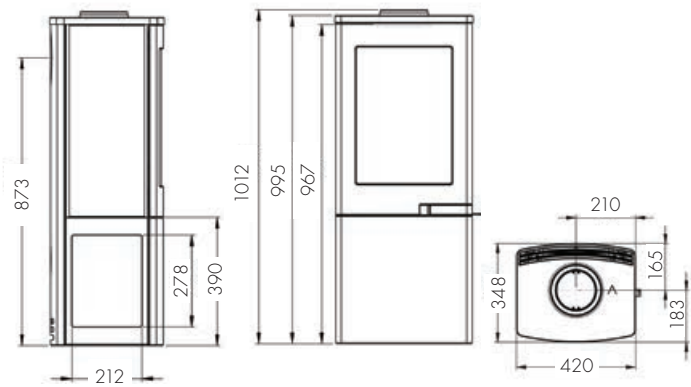
P 16 - 17



*Minimum distance to combustibles:**
100mm (rear), 400mm (side) & 600mm (above)

Uno 2

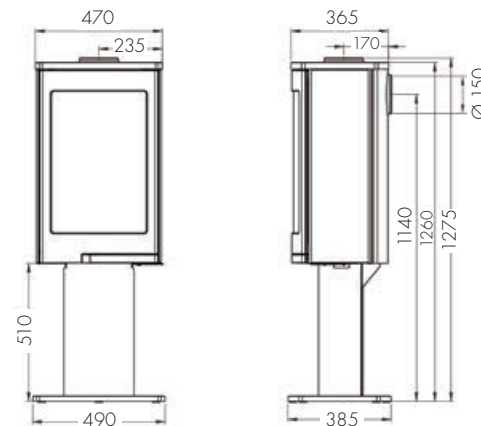
P 12 - 13



*Minimum distance to combustibles:**
150mm (rear), 500mm (side) & 600mm (above)

Duo 1

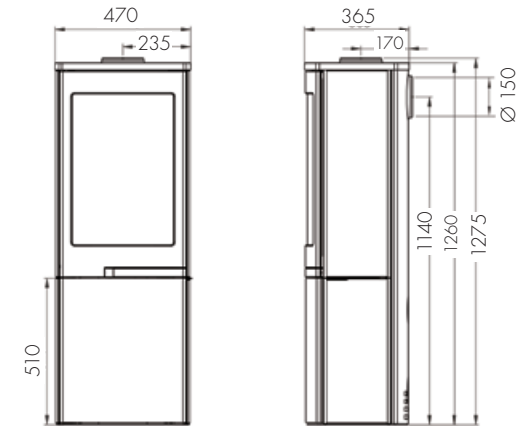
P 14 - 15



*Minimum distance to combustibles:**
100mm (rear), 400mm (side) & 600mm (above)

Duo 4

P 18 - 19

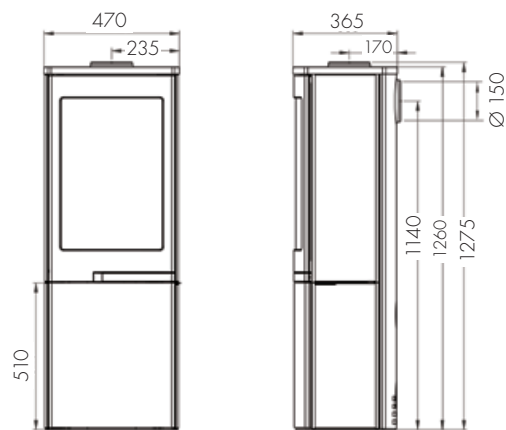


*Minimum distance to combustibles:**
100mm (rear), 400mm (side) & 600mm (above)

Technical Information

Duo 5

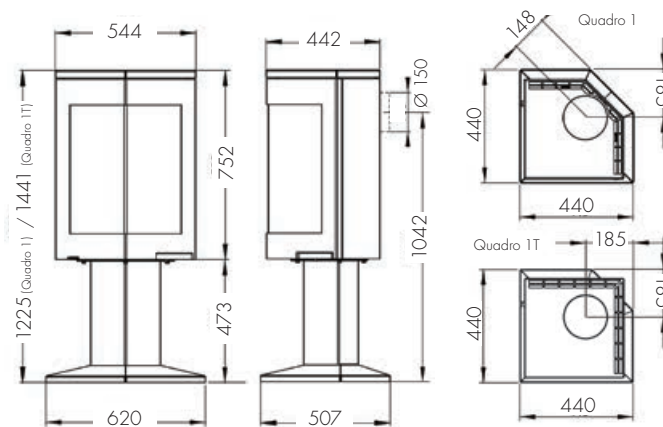
P 20 - 21



Minimum distance to combustibles:*
100mm (rear), 400mm (side) & 600mm (above)

Quadro 1 / 1T

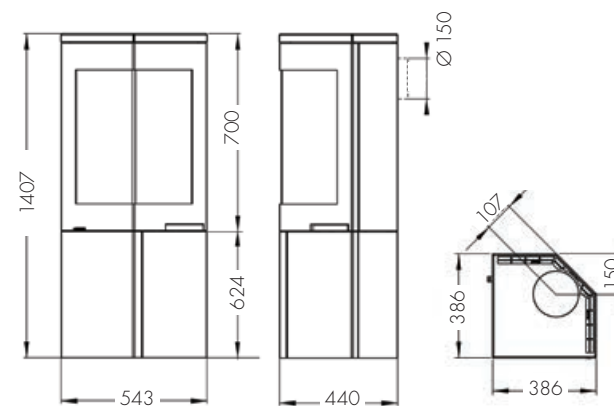
P 22 - 23



Minimum distance to combustibles:*
150mm (rear) & 800mm (side)

Quadro 2 Colorado

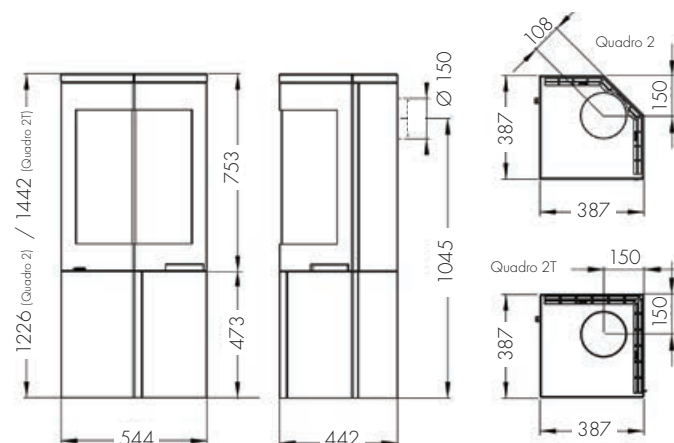
P 24 - 25



Minimum distance to combustibles:*
150mm (rear) & 800mm (side)

Quadro 2 / 2T

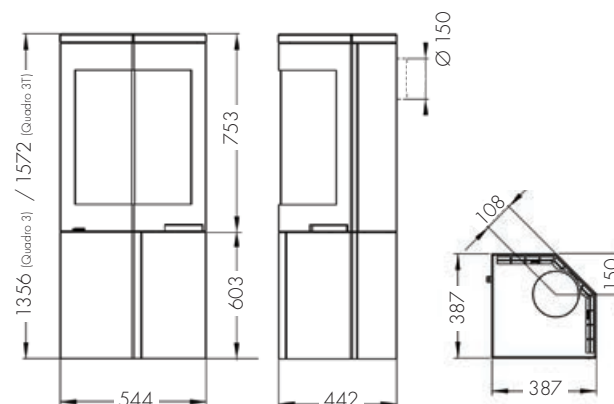
P 24 - 25



Minimum distance to combustibles:*
150mm (rear) & 800mm (side)

Quadro 3 / 3T

P 26 - 27



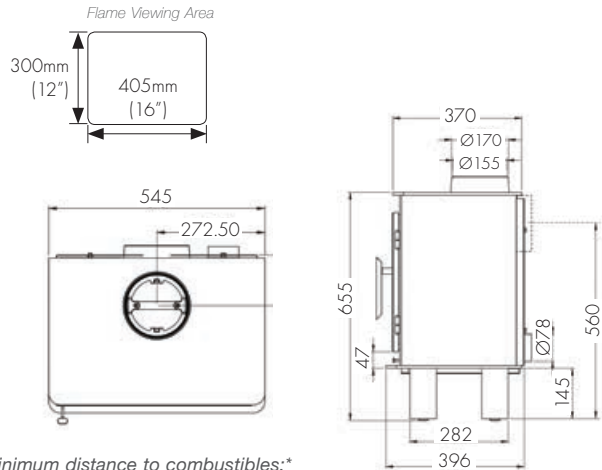
Minimum distance to combustibles:*
150mm (rear) & 800mm (side)



*A HETAS approved installer should undertake a site survey prior to purchase and must install your stove or fire for you. You may also view or download complete installation instructions from our website - www.nordpeis.co.uk. The diagrams on these pages cover some of the basic requirements and are for initial information purposes only, please see installation instructions for further information.

Bergen

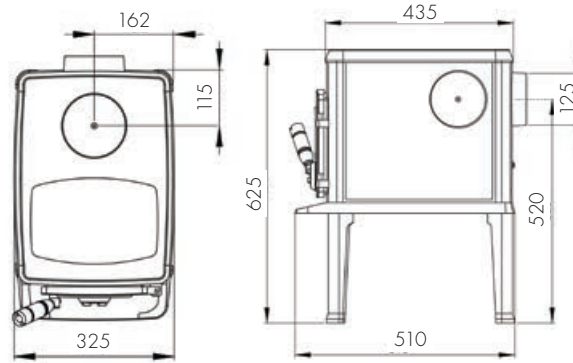
P 28 - 29



Minimum distance to combustibles:*
200mm (rear) & 400mm (side)

Orion

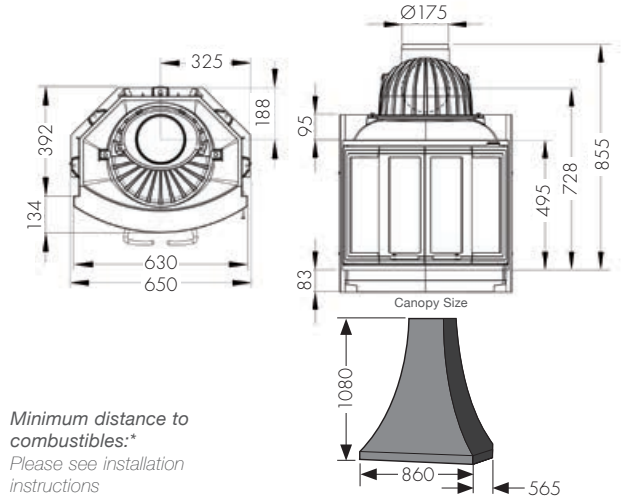
P 32 - 33



Minimum distance to combustibles:*
600mm (rear) & 600mm (side)

NI-25

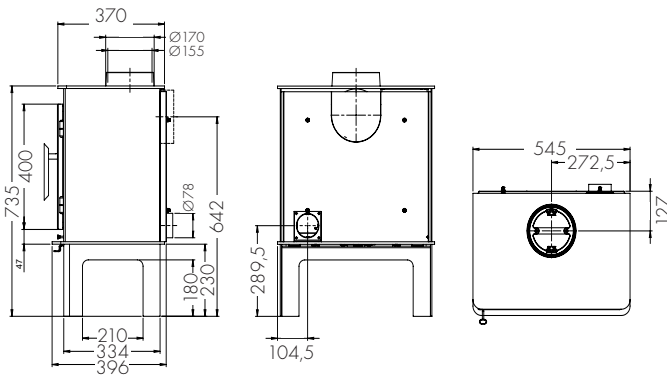
P 36 - 37



Minimum distance to combustibles:*
Please see installation instructions

Glasgow

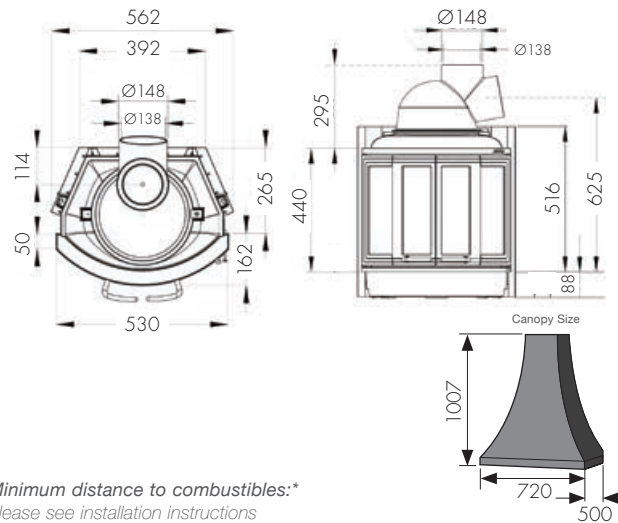
P 30 - 31



Minimum distance to combustibles:*
200mm (rear) & 400mm (side)

NI-22

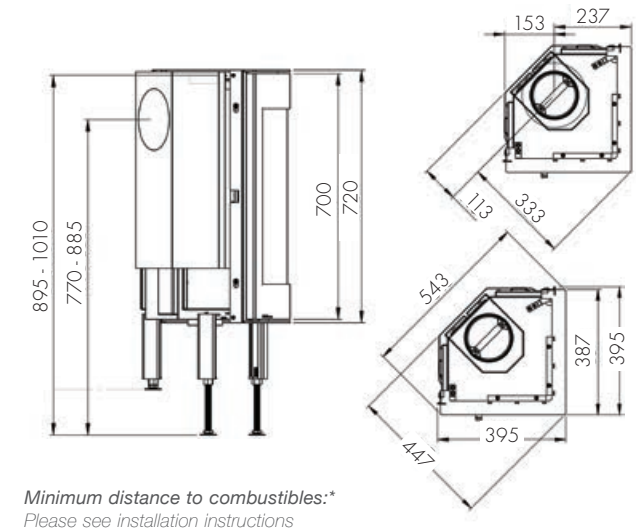
P 34 - 35



Minimum distance to combustibles:*
Please see installation instructions

S-31A (for Odense surround)

P 38 - 39

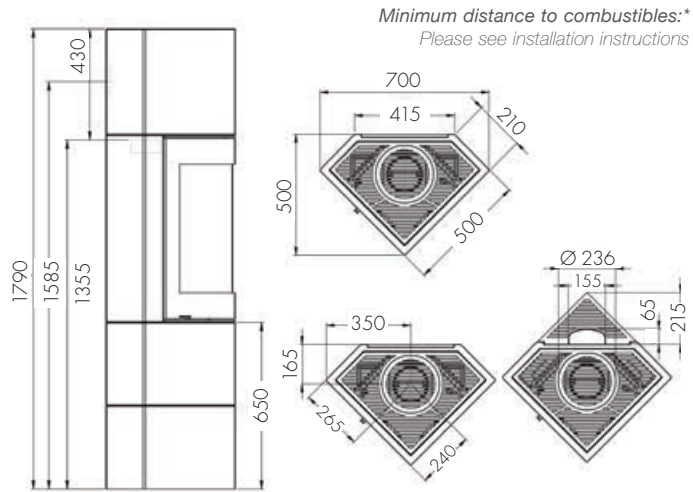


Minimum distance to combustibles:*
Please see installation instructions

Technical Information

Odense Surround

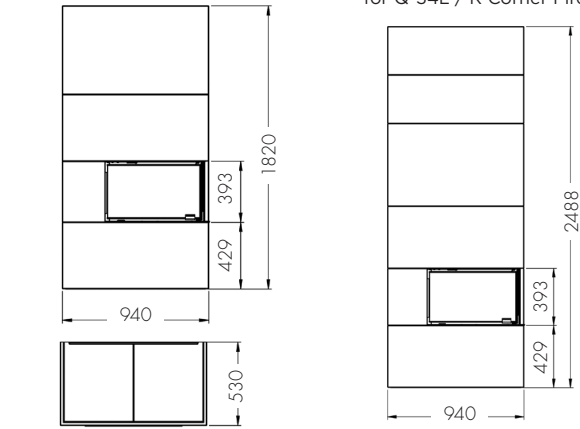
P 38 - 39



Panama Surround (for Q-34) P 40 - 41

Panama for Q-34L / R Corner Fires

Panama with Extension Set for Q-34L / R Corner Fires

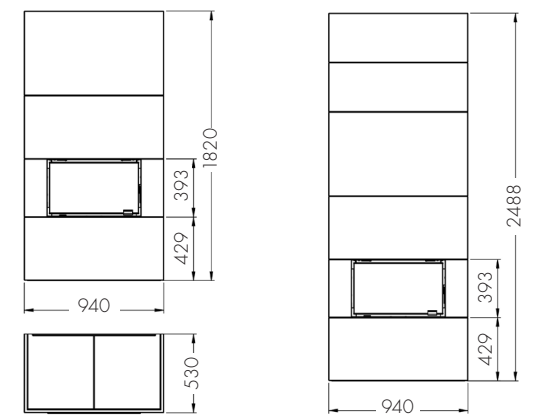


*Minimum distance to combustibles:** Please see installation instructions

Panama Surround (for Q-23) P40 - 41

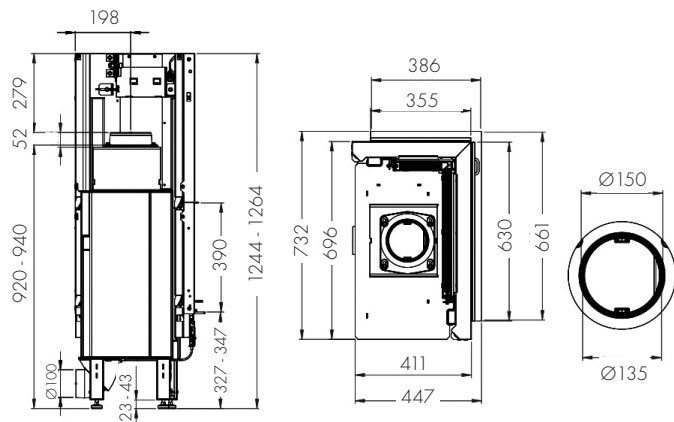
Panama for Q-23 fires

Panama with Extension Set for Q-23 fires



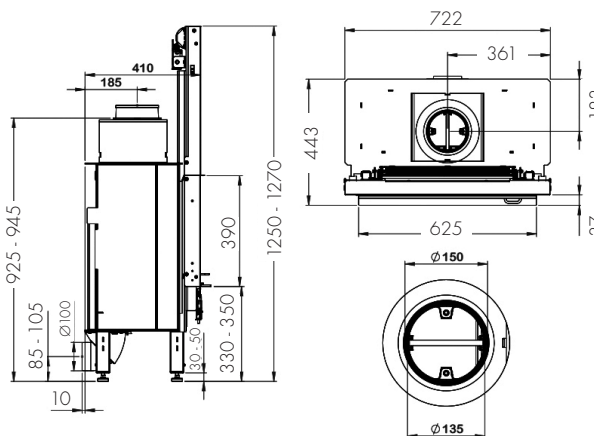
*Minimum distance to combustibles:** Please see installation instructions

Q-34 (for Panama & Fargo surrounds) P 40 - 41



*Minimum distance to combustibles:** Please see installation instructions

Q-23 (for Panama surround) P 40 - 41

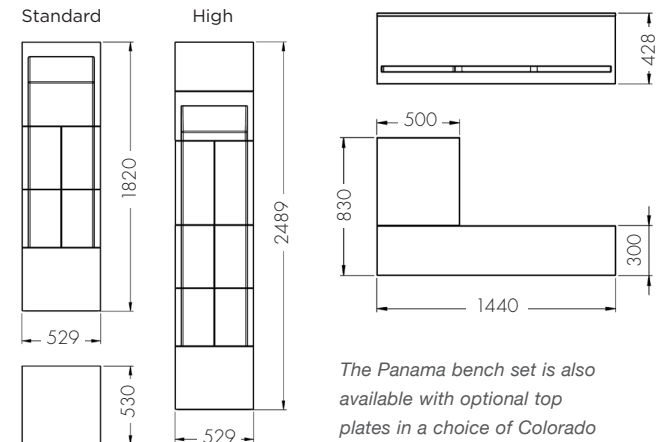


*Minimum distance to combustibles:** Please see installation instructions

Panama Options P 40 - 41

Optional Panama Wood Shelf

Optional Panama Bench Set



The Panama bench set is also available with optional top plates in a choice of Colorado Anthracite or White Marble.

*A HETAS approved installer should undertake a site survey prior to purchase and must install your stove or fire for you. You may also view or download complete installation instructions from our website - www.nordpeis.co.uk. The diagrams on these pages cover some of the basic requirements and are for initial information purposes only, please see installation instructions for further information.

Panama Surround - Possible Configurations



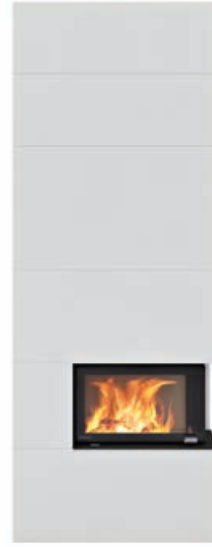
Panama Basic Model with Q-23 fire



Panama Basic Model with Q-34L fire



Panama Basic Model with Q-34R fire



Panama Basic Model with Q-34R fire and Extension Set

POSSIBLE CONFIGURATIONS WITH OPTIONAL BENCH SET



Panama with Q-34R fire, Bench Set and Colorado Anthracite Top Plate



Panama with Q-23 fire, Bench Set and White Marble Top Plate

POSSIBLE CONFIGURATIONS WITH OPTIONAL WOOD SHELF



Panama Basic Model with Standard Wood Shelf with Q-34L



Panama Basic Model with Standard Wood Shelf with Q-23



Panama Basic Model with Q-23 fire, Extension Set and High Wood Shelf



Standard (left) and High (right) Wood Shelves



Optional Bench Set with Colorado Anthracite Top Plate



Optional Bench Set with White Marble Top Plate

The Panama is supplied in unfinished concrete which can be painted with breathable masonry paint to suit your decor. Images show the Panama painted white. All dimensions are given in mm.

Accessories

Care of your Stove or Fireplace

To help you get the best performance from your stove or fireplace and keep it in good condition, inside and out, Stovax (Nordpeis' distributor in the UK and Republic of Ireland) offers a wide range of cleaning and maintenance products and fireplace accessories. Your Nordpeis retailer will be able to give you full details or you can view the complete range online at www.stovax.com.



Professional XQ™ Chimney Systems

Nordpeis recommends the Stovax Professional XQ™ range of comprehensive stove and fireplace chimney systems. Crafted from 304L grade stainless steel for a durable outer finish, the fully sealed components offer water tight protection for the insulation within.

With innovative decorative options, the ability to specify a colour for your system, and with a host of technical advancements such as its Twist-Lock system, the Stovax Professional XQ™ range provides an attractive, versatile and reliable solution for your flue system. Furthermore, the Stovax Professional XQ™ range carries a 10 Year Extended Warranty offering complete peace of mind.

For further information or to request a brochure, simply contact your local retailer or visit www.stovax.com/chimneysystems.



FOR HOMES
WITHOUT A
CHIMNEY!

10
YEAR
EXTENDED
WARRANTY





Further Information

Approved for Smoke Control Areas

Most town and city homes in the UK are located in Smoke Control Areas as designated by the Clean Air Act 1993.

To burn logs on a stove in these locations, the model installed must have been granted exemption from the regulations by the Government through DEFRA. This exemption is given only to appliances which have been independently tested to demonstrate particularly clean burning combustion. Many stoves in this brochure are approved for use in Smoke Control Areas and this is shown on each relevant product page. Your Nordpeis retailer can give you further help and advice.



Product Warranty & Improvement

Nordpeis pursue a policy of constant product improvement. Products supplied may therefore differ in specification from those illustrated or described in this brochure, and you should always check the final specification with your Nordpeis retailer.

Your Nordpeis Expert Retailer will provide you with a Two Year Warranty for your new woodburning stove or fire. This can be extended to a Five Year Warranty by registering your appliance with us. Please note, these warranties exclude certain consumable parts and are dependant on your appliance being serviced by an appropriately qualified person 12 months after installation and annually thereafter.

Stoves and fires purchased outside of Nordpeis' Expert Retailer Network will carry a standard One Year Non-Extendable Warranty.

Full details of this warranty are set out to view on our website at www.nordpeis.co.uk.

5
Year
Extended
Warranty

Important Safety & Technical Information

We recommend that a HETAS approved installer should undertake a site survey prior to purchase and it is a requirement that any Nordpeis stove or fire should be installed by an appropriately qualified HETAS approved installer.

Please note that the installations shown within this brochure may not conform to British and Irish building regulations. Please consult with a qualified professional installer (HETAS registered in the United Kingdom) for expert advice including the requirement for a hearth in your home.

All fires and stoves consume air as they burn. To comply with Building Regulations (Document J) you may need to install a fixed air vent to ensure adequate ventilation. A room vent is not normally required when the air permeability is greater than 5.0m³/hr/m².

The 'Nominal' heat output is to be used for calculating the ventilation provision as required by ADJ Building Regulations and for

calculating its suitability for heating the size of room it will be fitted into. The heat output 'Range' is to be used as a guide only as the maximum and minimum performance will depend on local conditions e.g. flue pull, fuel quality and, importantly, the way in which the product is used.

Your Nordpeis retailer or HETAS installer will be able to advise on this. You can also download detailed installation instructions prior to purchase from www.nordpeis.co.uk. Furthermore, by law all installations also require a Carbon Monoxide Monitor be supplied and fitted.

Please note that all parts of these stoves and fires, particularly the glass panel in the door, become extremely hot during operation and can result in serious injury and burns if touched.

It is therefore recommended that a fireguard complying with BS 8423:2002 is used in the presence of young children, the elderly or infirm.



Nordpeis

United Kingdom & Republic of Ireland distributors for Nordpeis:

Stovax Limited

Falcon Road, Sowton Industrial Estate,
Exeter, Devon EX2 7LF

UK Trade Sales tel: 01392 474000

ROI Trade Sales tel: 00 44 1392 261990

Fax: 01392 219932

E-mail: nordpeis@stovax.com

www.nordpeis.co.uk



Find Your Retailer

You can find your nearest retailer by visiting:
www.nordpeis.co.uk/find-a-retailer



To view & download our complete range of brochures,
simply scan this code or visit www.stovax.com

Your local Nordpeis retailer:

£2.00

NORDPEIS1018



© All material copyright Stovax Ltd 2018 E & O E

Paper sourced from sustainable forests and printed using vegetable based inks



NI-25 with Plinth and Canopy