



★ ★ ★  
**NEW**  
AND EXCLUSIVE  
TO SHOWROOMS

**STOVAX**  
*Fire Your Imagination*

**CHESTERFIELD**  
WOODBURNING & MULTI-FUEL STOVES



SEE IT BURNING AT:  
[stovax.com/chesterfield](https://stovax.com/chesterfield)



*Chesterfield 5 Multi-fuel Ecodesign stove.  
Shown with Stovax Claremont stone mantel in Antique White Marble*



INTRODUCING THE ALL NEW  
**CHESTERFIELD**

THE LATEST WOODBURNING AND MULTI-FUEL STOVE RANGE FROM STOVAX

Combining innovative combustion systems, superb flame visuals and timeless styling, the Chesterfield range is the sum of over 35 years of British design and engineering.



# ELEGANTLY STYLED. ENVIRONMENTALLY DESIGNED.

Delivering exceptional heating performance to your home, the new Chesterfield stove range has been designed with our latest triple airflow Cleanburn combustion technology. Powerful internal Airwash air jets keep the expansive glass panel clear, for a magnificent view of the flames.

All models easily meet requirements for use in smoke control zones in urban areas, with the majority burning with such low emissions they have been verified as SIA Ecodesign Ready\*, exceeding Ecodesign requirements.

Tasteful bevelling and an elegant Rose Scroll door handle add subtle stylistic details, demonstrating the craftsmanship behind this range's high quality cast iron and steel construction.

Two sizes give you a range of installation options, with each providing 5kW of heat suitable for most homes and settings. Choose from the perfectly proportioned Chesterfield 5 or the impressive Chesterfield 5 Wide, the latter which grants an unparalleled flame view with a reduced depth for a slimline installation.

## KEY FACTS

- **Nominal Heat Output:** 5kW **Heat Output Range:** 2.5 - 7kW
- **Maximum Efficiency:** Chesterfield 5: 80% Chesterfield 5 Wide: 79%
- **Energy Class:** Chesterfield 5: **A+** Chesterfield 5 Wide: **A**
- Ecodesign Ready\*
- Woodburning and multi-fuel models
- Smoke Control Area Approved as standard†
- Convector Heat Systems allow low distance to combustibles
- Cleanburn & Airwash Systems
- Dedicated External Air Kit (optional)
- Suitable for 12mm hearths



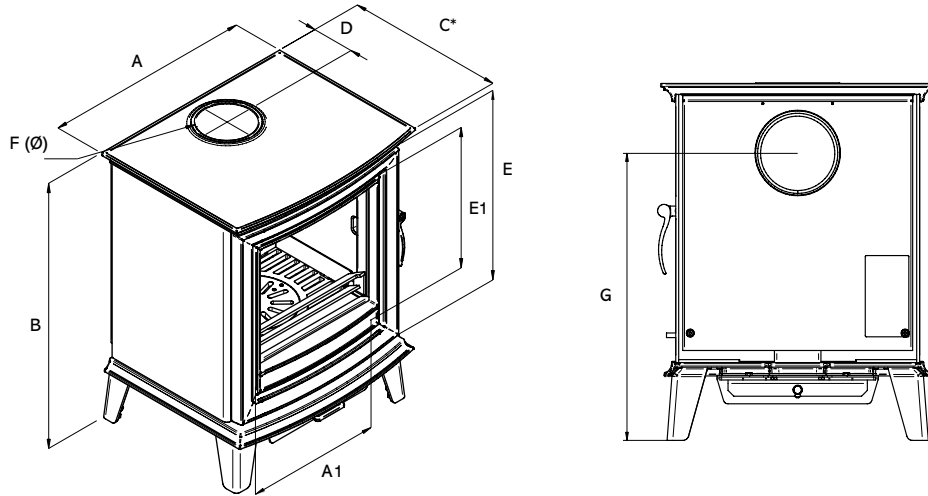
\* Chesterfield 5 woodburning and multi-fuel and Chesterfield 5 Wide multi-fuel models only.

† Subject to official listing



*Chesterfield 5 Wide Multi-fuel Ecodesign stove*

# DIMENSIONS



	A	A1 <sup>#</sup>	B		C	D	E	E1 <sup>#</sup>		F	G	
			Short Leg	Long Leg				Wood	Multi-fuel		Short Leg	Long Leg
Chesterfield 5	472	305	614	660	397	110	431	317	278	128	494	540
Chesterfield 5 Wide	581	412	702	748	357	110	519	410	359	128	561	607

<sup>#</sup> Glass Viewing Area

\*If installing this appliance with an outdoor air kit, there will be an increase in dimension C. Please consult PM1654 prior to installation.

## DISTANCE TO COMBUSTIBLES

	Distance from Sides	Distance from Rear
Chesterfield 5 with Twin Wall Flue Pipe & Heat Shield	300mm	50mm
Chesterfield 5 Wide with Twin Wall Flue Pipe & Heat Shield	250mm	50mm

Note: Minimum distance to combustible material must be 450mm from any exposed single wall flue pipe.



*Chesterfield 5 Woodburning Ecodesign stove with optional long legs.*

# STOVAX

Fire Your Imagination

Stovax Ltd Falcon Road, Sowton Industrial Estate, Exeter, Devon, England EX2 7LF

Trade sales: 01392 474000 • Export sales: 00 44 1392 261990 • Fax: 01392 219932 • Email: info@stovax.com

www.stovax.com



CFIELDBR 0919



© All material copyright Stovax Ltd 2019 E & O E